



Accessori standard in ottone



Brass standard accessories



Standardverschraubungen Messing



Accessoires standard laiton



Accesorios estándar en latón

AS51



AS51OR



AS52K



AS53



AS54K



AS54



AS54OR



AS54S



AS54P



AS55K



AS55



AS55OR



AS56



AS57



AS57OR-E



AS57OR



AS57K



AS57B



AS58



AS79



AS79K



AS59



AS60K



AS60



AS61



AS62K



AS63K



AS64



AS65K



AS66K



AS67K



AS68K



AS69D



AS69



AS69K



AS69OR



AS69KL



AS93KL



AS94KL



AS95KL



AS96KL



AS97F



AS98F



AS70K



AS71K



AS72



AS73



AS75K



AS76





Accessori standard in ottone



Brass standard accessories



Standardverschraubungen Messing



Accessoires standard laiton



Accesorios estándar en latón

AS77



AS80K



AS81K



AS82K



AS83KG



AS83G



AS87



AS88



AS87OR



AS88OR



AS91



AS92N



Dati tecnici degli accessori standard in ottone



Brass standard accessories technical data



Technischen Daten der Standardverschraubungen Messing



Données techniques des accessoires standard en laiton



Datos técnicos de los accesorios estándar en latón



Caratteristiche principali

1. Gamma completa M5 - 1"
2. Filettatura BSPP cilindrica UNI-ISO228 (con O-Ring), BSPT conica UNI-ISO 7 teflonata, Metrica ISO/R 262
3. Guarnizione in NBR Silicon free
4. Compatibilità numerosi fluidi industriali
5. Vasta gamma
6. Robustezza meccanica



Main features

1. Complete Range M5 - 1"
2. Threading BSPP cylindrical UNI-ISO228 (with O-Ring), BSPT conical teflon-coated UNI-ISO 7, ISO/R 262 metric
3. Silicon free NBR seal
4. All Fluids compatible
5. Wide range
6. Mechanical Resistance



Hauptmerkmale

1. Vollständiges Sortiment M5 - 1"
2. BSPP zylindrisches Gewinde UNI-ISO228 (mit O-Ring), teflonbeschichtet UNI-ISO 7 BSPT, metrische ISO/R 262
3. Silikonfreie NBR-Dichtung
4. Kompatibel mit allen Medien
5. Große Auswahl
6. Mechanische Festigkeit



Principales caractéristiques

1. Gamme complète M5 - 1"
2. Filetage BSPP cylindrique UNI-ISO228 (avec joint torique), BSPT conique UNI-ISO 7 avec téflon, ISO/R 262 métrique
3. Garniture NBR sans silicone
4. Tous fluides compatibles
5. Large gamme
6. Résistance mécanique



Características principales

1. Gama completa M5-1"
2. Roscado BSPP cilíndrica UNI-ISO228 (con junta tórica), BSPT cónica UNI-ISO 7 con teflón, métrica ISO/R 262
3. Guarnición en NBR sin silicona
4. Compatibilidad con numerosos fluidos industriales
5. Amplia gama
6. Robustez mecánica



Applicazioni

1. Aria Compressa
2. Impianti per automazione pneumatica
3. Gas inerti, vapore, fluidi
4. Circuiti acqua industriale
5. Vuoto



Applications

1. Compressed Air
2. Systems for pneumatic automation
3. Inert Gases, Fluids, Steam
4. Industrial water circuits
5. Vacuum



Anwendungen

1. Druckluft
2. Systeme für die pneumatische Automatisierung
3. Inertgase, Flüssigkeiten, Dampf
4. Industrielle Wasserkreisläufe
5. Leer



Applications

1. Air comprimé
2. Installations pour l'automatisation pneumatique
3. Gaz neutres, vapeur
4. Circuits d'eau industrielle
5. Vide



Aplicaciones

1. Aire comprimido
2. Instalaciones para automación neumática
3. Gases inertes, vapor, fluidos
4. Circuitos de agua industrial
5. Vacío

Materiali

Corpo: Ottone nichelato CW614N / CW617N

Materials

Body: Nickel plated brass CW614N / CW617N

Werkstoffen






Körper: vernickelt Messing
CW614N/CW617N

Matériels

Corps: Laiton nickelé CW614N / CW617N

Materiales

Cuerpo: Latón niquelado CW614N / CW617N

|  Pressione e temperatura |  Pressure and Temperature |  Druck und Temperatur |  Pression et Température |  Presión y Temperatura |
|---|---|---|--|--|
| Filetti - Threads - Gewinde - Filets - Roscas | | | Pressione massima - Maximum pressure <i>Maximum druck - Pression maximale - Presión máxima</i> | |
| 1/8 | | | 150 bar | |
| 1/4 | | | 100 bar | |
| 3/8 | | | 75 bar | |
| 1/2 | | | 50 bar | |
| 3/4 | | | 85 bar | |
| 1" | | | 80 bar | |
| Temperatura: 0°C / +70°C | Temperature: +32°F / +158°F | Temperatur: 0°C / +70°C | Température: 0°C / +70°C | Temperatura: 0°C / +70°C |

Fluido

Acqua, olio, aria compressa

Fluid

Water, oils, compressed air

Fluid

Wasser, oel, druckluft

Fluide

Eau, huile, air comprimé

Fluido

Agua, aceite, aire comprimido

Filettatura

BSPP cilindrica UNI-ISO228 (con O-Ring).
BSPT conica UNI-ISO 7 teflonata.
Metrica ISO/R 262.

Thread types

BSPP parallel UNI-ISO228 (with O-Ring).
BSPT taper UNI-ISO 7 with teflon.
Metric ISO/R 262.

Gewinde

BSPP zylindrisch UNI-ISO228 (mit O-Ring).
BSPT konische UNI-ISO 7 mit Teflon.
Metrische ISO/R 262.

Filetage

BSPP cylindrique UNI-ISO228 (avec joint torique).
BSPT conique UNI-ISO7 teflonée.
Métrique ISO/R 262.

Roscado

BSPP cilíndrico UNI-ISO 228 (con junta tórica).
Teflón con recubrimiento BSPT UNI-ISO 7.
ISO/R 262 métrica.

Filetti

Filettature da M5 a 1"

Threads

Threads from M5 to 1"

Gewinde

Gewinde von M5 bis 1"

Filets

Filetages de M5 à 1"

Roscas

Roscas de M5 a 1"

Norma di riferimento

Norme de référence

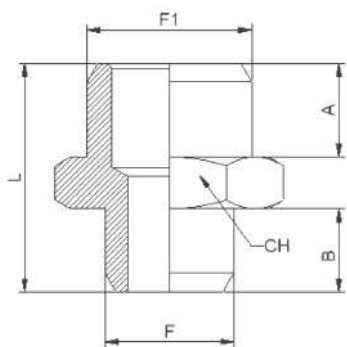
Reference standard






Normativa de referencia

Entspricht der Norm



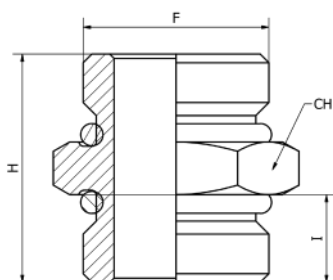
AS 51








-  **Nipplo cilindrico BSPP metrico**
-  **Nipple parallel BSPP-metric**
-  **Nippel zylindrisches-metrisches Gewinde**
-  **Mamelon cylindrique BSPP- métrique**
-  **Machón cilindrico BSPP- métrico**

| CODICE/CODE | F" | F1" | A | B | L | CH | PEZZI/PIECES |
|-------------|------|------|----|-----|------|----|--------------|
| AS51M5M5 | M5 | M5 | 4 | 4 | 11 | 8 | 10 |
| AS51M518 | M5 | G1/8 | 6 | 5 | 15,5 | 14 | 10 |
| AS511818 | G1/8 | G1/8 | 6 | 6 | 16,5 | 14 | 10 |
| AS511814 | G1/8 | G1/4 | 8 | 6 | 18,5 | 17 | 10 |
| AS511838 | G1/8 | G3/8 | 9 | 6 | 20 | 19 | 10 |
| AS511812 | G1/8 | G1/2 | 12 | 6,5 | 25 | 22 | 10 |
| AS511414 | G1/4 | G1/4 | 8 | 8 | 20,5 | 17 | 10 |
| AS511438 | G1/4 | G3/8 | 9 | 8 | 22 | 19 | 10 |
| AS511412 | G1/4 | G1/2 | 10 | 8 | 23 | 24 | 10 |
| AS513838 | G3/8 | G3/8 | 9 | 9 | 23 | 19 | 10 |
| AS513812 | G3/8 | G1/2 | 10 | 9 | 24 | 24 | 10 |
| AS513834 | G3/8 | G3/4 | 11 | 9 | 25,5 | 30 | 10 |
| AS511212 | G1/2 | G1/2 | 10 | 10 | 25,5 | 24 | 10 |
| AS511234 | G1/2 | G3/4 | 11 | 10 | 26,5 | 30 | 10 |
| AS511201 | G1/2 | G1 | 10 | 13 | 29 | 36 | 10 |
| AS513434 | G3/4 | G3/4 | 11 | 11 | 27,5 | 30 | 10 |
| AS513401 | G3/4 | G1 | 13 | 11 | 30 | 36 | 10 |
| AS510101 | G1 | G1 | 13 | 13 | 32 | 36 | 10 |

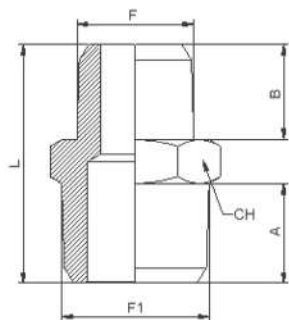
AS 51OR








-  **Nipplo cilindrico BSPP con O-ring**
-  **Nipple parallel BSPP with O-ring**
-  **Nippel zylindrisches Gewinde mit O-ring**
-  **Mamelon cylindrique BSPP, o-ring**
-  **Machón cilindrico BSPP con o-ring**

| CODICE/CODE | F" | F1" | I | I1 | H | CH | PEZZI/PIECES |
|-------------|------|------|-----|-----|------|----|--------------|
| AS51OR18 | G1/8 | - | - | 6,5 | 17,5 | 14 | 10 |
| AS51OR14 | G1/4 | - | - | 8 | 21 | 17 | 10 |
| AS51OR38 | G3/8 | - | - | 9 | 23 | 20 | 10 |
| AS51OR12 | G1/2 | - | - | 10 | 26 | 24 | 10 |
| AS51OR1814 | G1/8 | G1/4 | 6,5 | 8 | 19,5 | 17 | 10 |
| AS51OR1838 | G1/8 | G3/8 | 6,5 | 9 | 21 | 20 | 10 |
| AS51OR1438 | G1/4 | G3/8 | 8 | 9 | 22 | 20 | 10 |
| AS51OR1412 | G1/4 | G1/2 | 8 | 10 | 24 | 24 | 10 |
| AS51OR3812 | G3/8 | G1/2 | 9 | 10 | 25 | 24 | 10 |

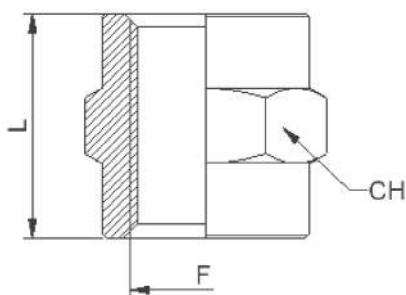
AS 52K








-  **Nipplo conico BSPT**
-  **Nipple taper BSPT**
-  **Nippel konisches Gewinde**
-  **Mamelon conique BSPT**
-  **Machón cónico BSPT**

| CODICE/CODE | F" | F1" | A | B | L | CH | PEZZI/PIECES |
|-------------|------|------|------|------|------|----|--------------|
| AS52K1818 | R1/8 | R1/8 | 8 | 8 | 20,5 | 12 | 10 |
| AS52K1814 | R1/8 | R1/4 | 11 | 7,5 | 23 | 14 | 10 |
| AS52K1838 | R1/8 | R3/8 | 11 | 7,5 | 23,5 | 17 | 10 |
| AS52K1414 | R1/4 | R1/4 | 11 | 11 | 27 | 14 | 10 |
| AS52K1438 | R1/4 | R3/8 | 11 | 10,5 | 26,5 | 17 | 10 |
| AS52K1412 | R1/4 | R1/2 | 12,5 | 10,5 | 28,5 | 22 | 10 |
| AS52K3838 | R3/8 | R3/8 | 11 | 11 | 27 | 17 | 10 |
| AS52K3812 | R3/8 | R1/2 | 14 | 11,5 | 31 | 22 | 10 |
| AS52K1212 | R1/2 | R1/2 | 13,5 | 13,5 | 33 | 22 | 10 |
| AS52K1234 | R1/2 | R3/4 | 14 | 12,5 | 32,5 | 27 | 10 |
| AS52K3434 | R3/4 | R3/4 | 14 | 14 | 34,5 | 27 | 10 |
| AS52K3401 | R3/4 | R1 | 15,5 | 13 | 35,5 | 34 | 10 |
| AS52K0101 | R1 | R1 | 15,5 | 15,5 | 37 | 34 | 10 |

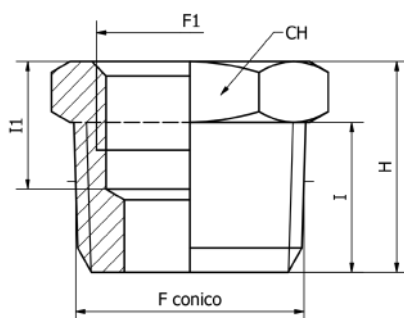
AS 53








-  **Manicotto cilindrico BSPP - metrico**
-  Sleeve parallel BSPP - metric
-  Muffe zylindrisches-konisches Gewinde
-  Manchon cylindrique BSPP- métrique
-  Manguito cilindrico BSPP- métrico

| CODICE/CODE | F" | L | CH | PEZZI/PIECES |
|-----------------|------|------|----|--------------|
| AS53M5M5 | M5 | 11 | 8 | 10 |
| AS531818 | G1/8 | 15 | 14 | 10 |
| AS531414 | G1/4 | 22 | 17 | 10 |
| AS533838 | G3/8 | 23 | 22 | 10 |
| AS531212 | G1/2 | 28,5 | 26 | 10 |
| AS533434 | G3/4 | 32 | 32 | 10 |
| AS530101 | G1 | 31 | 38 | 10 |

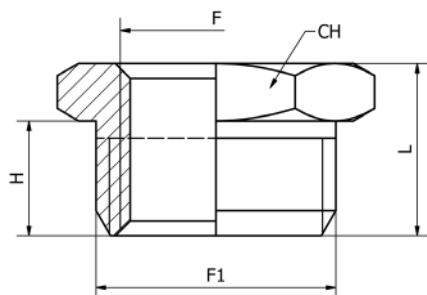
AS 54K








-  **Riduzione femmina cilindrico - maschio conico BSPT**
-  Reducer female cylindrical - male taper BSPT
-  Reduzierung konisches Gewinde
-  Réduction, femelle cylindrique - mâle conique BSPT
-  Reducción hembra cilíndrica - macho cónico BSPT

| CODICE/CODE | F" | F1" | I | I1 | H | CH | PEZZI/PIECES |
|------------------|------|------|------|------|------|----|--------------|
| AS54K1418 | R1/4 | G1/8 | 11 | 9,5 | 15,5 | 14 | 10 |
| AS54K3818 | R3/8 | G1/8 | 11 | 9 | 16 | 17 | 10 |
| AS54K3814 | R3/8 | G1/4 | 11 | 11,5 | 16 | 17 | 10 |
| AS54K1218 | R1/2 | G1/8 | 12,5 | 10 | 18 | 22 | 10 |
| AS54K1214 | R1/2 | G1/4 | 12,5 | 11,5 | 18 | 22 | 10 |
| AS54K1238 | R1/2 | G3/8 | 12,5 | 11,5 | 18 | 22 | 10 |
| AS54K3438 | R3/4 | G3/8 | 14 | 12 | 20 | 27 | 10 |
| AS54K3412 | R3/4 | G1/2 | 14 | 14 | 20 | 27 | 10 |
| AS54K0138 | R1 | G3/8 | 15,5 | 13 | 21,5 | 34 | 10 |
| AS54K0112 | R1 | G1/2 | 15,5 | 14 | 21,5 | 34 | 10 |
| AS54K0134 | R1 | G3/4 | 15,5 | 14 | 21,5 | 34 | 10 |

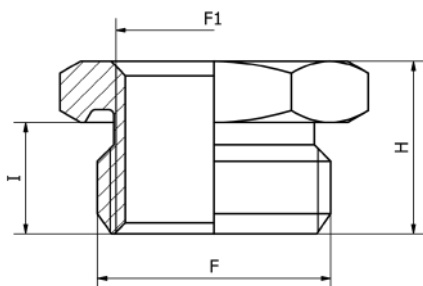
AS 54



-  **Riduzione maschio-femmina cilindrica BSPP-metrico**
-  Reducer male-female parallel BSPP-metric
-  Reduzierung zylindrisches Gewinde
-  Réduction, mâle-femelle cylindrique BSPP- métrique
-  Reducción macho-hembra cilíndrica BSPP- métrico

| CODICE/CODE | F1" | F" | H | L | CH | PEZZI/PIECES |
|-----------------|------|------|------|------|----|--------------|
| AS5418M5 | G1/8 | M5 | 6,5 | 10,5 | 14 | 10 |
| AS541418 | G1/4 | G1/8 | 8 | 12,5 | 17 | 10 |
| AS543818 | G3/8 | G1/8 | 9 | 14 | 19 | 10 |
| AS543814 | G3/8 | G1/4 | 9 | 14 | 19 | 10 |
| AS541218 | G1/2 | G1/8 | 10 | 15 | 24 | 10 |
| AS541214 | G1/2 | G1/4 | 10 | 15 | 24 | 10 |
| AS541238 | G1/2 | G3/8 | 10 | 15 | 24 | 10 |
| AS543414 | G3/4 | G1/4 | 11 | 16,5 | 30 | 10 |
| AS543438 | G3/4 | G3/8 | 11 | 16,5 | 30 | 10 |
| AS543412 | G3/4 | G1/2 | 13,5 | 19,5 | 30 | 10 |
| AS540138 | G1 | G3/8 | 13,5 | 19,5 | 36 | 10 |
| AS540112 | G1 | G1/2 | 13 | 19 | 36 | 10 |
| AS540134 | G1 | G3/4 | 13 | 19 | 36 | 10 |

AS 54OR



Riduzione maschio-femmina cilindrica BSPP-metrico con O-ring

Reducer male-female parallel BSPP metric with O-ring

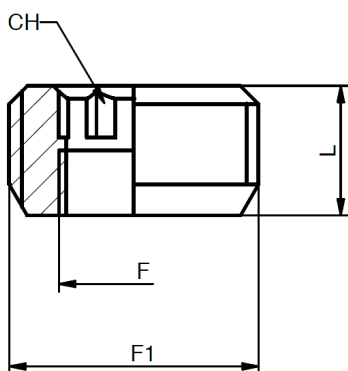
Reduzierung zylindrisches Gewinde mit O-ring

Réduction, mâle-femelle cylindrique BSPP- métrique avec o-ring

Reducción macho-hembra cilíndrica BSPP- métrico con o-ring

| CODICE/CODE | F" | F1" | I | H | CH | PEZZI/PIECES |
|-------------------|------|------|-----|------|----|--------------|
| AS54OR18M5 | G1/8 | M5 | 6,5 | 11 | 14 | 10 |
| AS54OR1418 | G1/4 | G1/8 | 8 | 13 | 19 | 10 |
| AS54OR3818 | G3/8 | G1/8 | 9 | 14 | 20 | 10 |
| AS54OR3814 | G3/8 | G1/4 | 9 | 14 | 20 | 10 |
| AS54OR1218 | G1/2 | G1/8 | 10 | 15,5 | 24 | 10 |
| AS54OR1214 | G1/2 | G1/4 | 10 | 15,5 | 24 | 10 |
| AS54OR1238 | G1/2 | G3/8 | 10 | 15,5 | 26 | 10 |

AS 54S



Riduzione a scomparsa a brugola cilindrica BSPP-metrico

Hexagonal hidden reducer parallel BSPP-metric

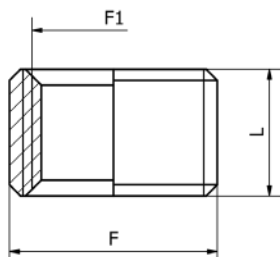
Reduzierung zylindrisches Gewinde

Réduction, cylindrique, hexagonal BSPP- métrique

Reducción cilíndrica, hexagonal BSPP- métrico

| CODICE/CODE | F" | F1" | L | CH | PEZZI/PIECES |
|------------------|------|------|------|----|--------------|
| AS54S18M5 | M5 | G1/8 | 8 | 3 | 10 |
| AS54S1418 | G1/8 | G1/4 | 9 | 6 | 10 |
| AS54S3818 | G1/8 | G3/8 | 9 | 6 | 10 |
| AS54S3814 | G1/4 | G3/8 | 9 | 8 | 10 |
| AS54S1214 | G1/4 | G1/2 | 10,5 | 10 | 10 |
| AS54S1238 | G3/8 | G1/2 | 10,5 | 10 | 10 |
| AS54S3412 | G1/2 | G3/4 | 13 | 12 | 10 |
| AS54S0134 | G3/4 | G1 | 15 | 17 | 10 |

AS 54P



Riduzione a scomparsa passante cilindrica BSPP-metrico

Hidden reducer parallel BSPP-metric

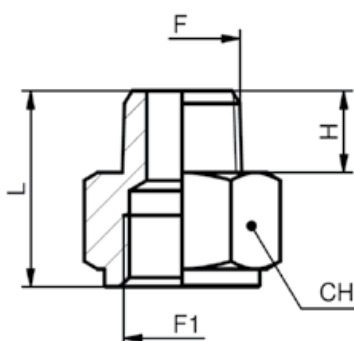
Reduzierung zylindrisches Gewinde

Réduction, cylindrique BSPP- métrique

Reducción cilíndrica BSPP- métrico

| CODICE/CODE | F" | F1" | L | PEZZI/PIECES |
|------------------|----------|------|-----|--------------|
| AS54P1418 | G1/4 | G1/8 | 8 | 10 |
| AS54P3814 | G3/8 | G1/4 | 9 | 10 |
| AS54P1238 | G1/2 | G3/8 | 9,5 | 10 |
| AS54P3412 | G3/4 | G1/2 | 10 | 10 |
| AS54P0134 | G1 | G3/4 | 12 | 10 |
| AS54P4101 | G 1" 1/4 | G1 | 12 | 10 |

AS 55K



Maggiorazione femmina cilindrico - maschio conico BSPT

Extension female cylindrical - male taper BSPT

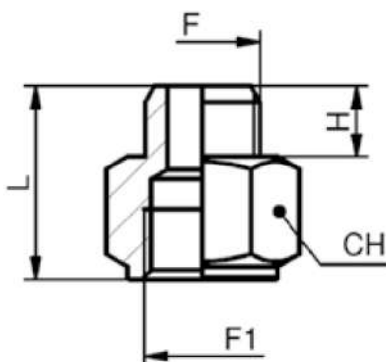
Verlängerung konisches Gewinde

Augmentation femelle cylindrique - mâle conique BSPT

Alargue hembra cilíndrica - macho cónico BSPT

| CODICE/CODE | F" | F1" | H | L | CH | PEZZI/PIECES |
|-------------|------|------|------|------|----|--------------|
| AS55K1818 | R1/8 | G1/8 | 7,5 | 18,5 | 14 | 10 |
| AS55K1814 | R1/8 | G1/4 | 7,5 | 21 | 17 | 10 |
| AS55K1838 | R1/8 | G3/8 | 7,5 | 21,5 | 22 | 10 |
| AS55K1414 | R1/4 | G1/4 | 10,5 | 24 | 17 | 10 |
| AS55K1438 | R1/4 | G3/8 | 10,5 | 24,5 | 22 | 10 |
| AS55K1412 | R1/4 | G1/2 | 10,5 | 27,5 | 27 | 10 |
| AS55K3838 | R3/8 | G3/8 | 10,5 | 24,5 | 22 | 10 |
| AS55K3812 | R3/8 | G1/2 | 11,5 | 29,5 | 24 | 10 |
| AS55K3834 | R3/8 | G3/4 | 11 | 28 | 32 | 10 |
| AS55K1212 | R1/2 | G1/2 | 12,5 | 28,5 | 27 | 10 |
| AS55K1234 | R1/2 | G3/4 | 14 | 35 | 32 | 10 |
| AS55K1201 | R1/2 | G1 | 13 | 31 | 38 | 10 |
| AS55K3434 | R3/4 | G3/4 | 13 | 30 | 32 | 10 |
| AS55K3401 | R3/4 | G1 | 13 | 31 | 38 | 10 |
| AS55K0101 | R1 | G1 | 15,5 | 33,5 | 38 | 10 |

AS 55



Maggiorazione maschio-femmina cilindrica BSPP-metrico

Extension male-female parallel BSPP-metric

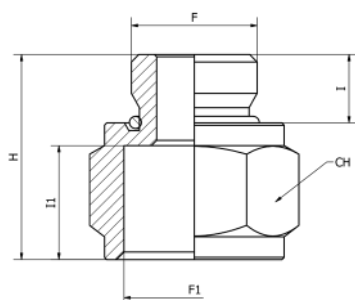
Verlängerung zylindrisches Gewinde

Augmentation mâle-femelle cylindrique BSPP-métrique

Alargue macho-hembra cilíndrica BSPP-métrico

| CODICE/CODE | F" | F1" | H | L | CH | PEZZI/PIECES |
|-------------|------|------|------|------|----|--------------|
| AS55M518 | M5 | G1/8 | 5 | 16 | 14 | 10 |
| AS551818 | G1/8 | G1/8 | 6,5 | 17,5 | 14 | 10 |
| AS551814 | G1/8 | G1/4 | 6 | 20 | 17 | 10 |
| AS551838 | G1/8 | G3/8 | 6,5 | 20,5 | 22 | 10 |
| AS551812 | G1/8 | G1/2 | 6,5 | 23,7 | 25 | 10 |
| AS551414 | G1/4 | G1/4 | 8 | 22 | 17 | 10 |
| AS551438 | G1/4 | G3/8 | 8 | 22 | 22 | 10 |
| AS551412 | G1/4 | G1/2 | 9 | 26 | 24 | 10 |
| AS553838 | G3/8 | G3/8 | 9 | 23 | 22 | 10 |
| AS553812 | G3/8 | G1/2 | 9 | 26 | 27 | 10 |
| AS553834 | G3/8 | G3/4 | 9 | 26 | 32 | 10 |
| AS551212 | G1/2 | G1/2 | 10 | 26 | 27 | 10 |
| AS551234 | G1/2 | G3/4 | 10,5 | 27,5 | 32 | 10 |
| AS551201 | G1/2 | G1 | 11 | 29 | 38 | 10 |
| AS553434 | G3/4 | G3/4 | 11 | 27 | 32 | 10 |
| AS553401 | G3/4 | G1 | 11 | 29 | 38 | 10 |
| AS550101 | G1 | G1 | 13 | 31 | 38 | 10 |

AS 55OR



Maggiorazione maschio-femmina cilindrica BSPP con O-ring

Extension male-female parallel BSPP with O-ring

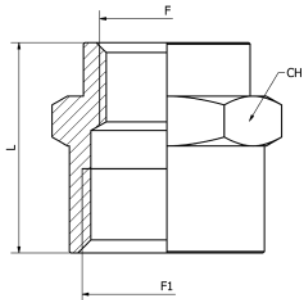
Verlängerung zylindrisches Gewinde mit O-ring

Augmentation mâle-femelle cylindrique BSPP avec o-ring

Alargue macho-hembra cilíndrica BSPP con o-ring

| CODICE/CODE | F" | F1" | I | I1 | H | CH | PEZZI/PIECES |
|-------------|------|------|-----|------|------|----|--------------|
| AS55OR1818 | G1/8 | G1/8 | 6,5 | 8,5 | 17 | 14 | 10 |
| AS55OR1814 | G1/8 | G1/4 | 6,5 | 11 | 20 | 17 | 10 |
| AS55OR1838 | G1/8 | G3/8 | 6,5 | 11,5 | 21 | 22 | 10 |
| AS55OR1414 | G1/4 | G1/4 | 8 | 11 | 21,5 | 17 | 10 |
| AS55OR1438 | G1/4 | G3/8 | 8 | 11,5 | 22,5 | 22 | 10 |
| AS55OR1412 | G1/4 | G1/2 | 9 | 14 | 26 | 24 | 10 |
| AS55OR3838 | G3/8 | G3/8 | 9 | 11,5 | 23,5 | 22 | 10 |
| AS55OR3812 | G3/8 | G1/2 | 9 | 14 | 27 | 24 | 10 |

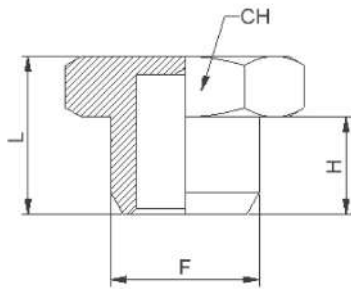
AS 56



- Manicotto ridotto cilindrico BSPP-metrico**
- Reducing sleeve parallel BSPP-metric
- Muffe Reduziert
- Manchon inégal cylindrique, BSPP-métrique
- Manguito de reducción cilíndrico, BSPP-métrico

| CODICE/CODE | F" | F1" | L | CH | PEZZI/PIECES |
|-----------------|------|------|------|----|--------------|
| AS56M518 | M5 | G1/8 | 13,5 | 14 | 10 |
| AS561814 | G1/8 | G1/4 | 18,5 | 17 | 10 |
| AS561838 | G1/8 | G3/8 | 20 | 22 | 10 |
| AS561812 | G1/8 | G1/2 | 24 | 24 | 10 |
| AS561438 | G1/4 | G3/8 | 23 | 22 | 10 |
| AS561412 | G1/4 | G1/2 | 26 | 24 | 10 |
| AS563812 | G3/8 | G1/2 | 26 | 24 | 10 |
| AS563834 | G3/8 | G3/4 | 25 | 32 | 10 |
| AS563412 | G1/2 | G3/4 | 25 | 32 | 10 |
| AS560112 | G1/2 | G1 | 25 | 38 | 10 |
| AS560134 | G3/4 | G1 | 25 | 38 | 10 |

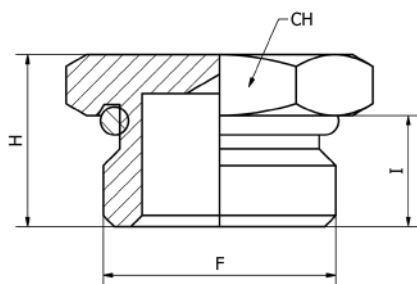
AS 57



- Tappo esagonale (senza O-ring) cilindrico BSPP-metrico**
- Hexagonal male plug (without O-ring) parallel BSPP-metric
- Stopfen zylindrisches-metrisches Gewinde ohne O-ring
- Bouchon à 6 pans mâle, cylindrique, BSPP-métrique
- Tapón macho cilíndrico, BSPP-métrico

| CODICE/CODE | F" | H | L | CH | PEZZI/PIECES |
|-----------------|------|------|------|----|--------------|
| AS5700M5 | M5 | 4 | 7 | 8 | 10 |
| AS570018 | G1/8 | 6,5 | 10,5 | 14 | 10 |
| AS570014 | G1/4 | 8 | 12,5 | 17 | 10 |
| AS570038 | G3/8 | 9 | 13,5 | 19 | 10 |
| AS570012 | G1/2 | 10 | 15 | 24 | 10 |
| AS570034 | G3/4 | 11 | 16,5 | 30 | 10 |
| AS570001 | G1 | 12,5 | 18,5 | 38 | 10 |

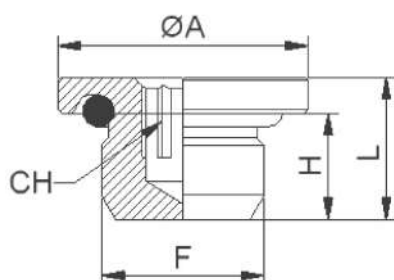
AS 57OR-E



- Tappo esagonale cilindrico BSPP con O-ring**
- Hexagonal male plug parallel BSPP with O-ring
- Stopfen zylindrisches Gewinde mit O-ring
- Bouchon à 6 pans mâle, cylindrique, BSPP-métrique, avec o-ring
- Tapón macho cilíndrico, BSPP-métrico, con o-ring

| CODICE/CODE | F" | I | H | CH | PEZZI/PIECES |
|------------------|------|-----|------|----|--------------|
| AS57OR18E | G1/8 | 6,5 | 10,5 | 14 | 10 |
| AS57OR14E | G1/4 | 8 | 12,5 | 17 | 10 |
| AS57OR38E | G3/8 | 9 | 13,5 | 20 | 10 |
| AS57OR12E | G1/2 | 10 | 15,5 | 24 | 10 |

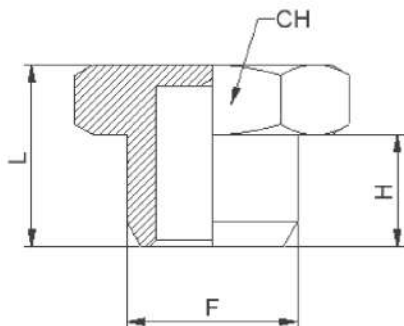
AS 57OR



- Tappo con O-ring, esagono interno, cilindrico BSPP-metrico**
- Male plug with O-ring, hexagonal inside, parallel BSPP-metric
- Stopfen zylindrisches-metrisches Gewinde mit O-Ring
- Bouchon à 6 pans creux, cylindrique, BSPP-métrique
- Tapón macho cilíndrico hexágono interior, BSPP-métrico

| CODICE/CODE | F" | H | L | ØA | CH | PEZZI/PIECES |
|-----------------|------|-----|------|----|-----|--------------|
| AS57ORM5 | M5 | 4 | 6,5 | 8 | 2,5 | 10 |
| AS57OR18 | G1/8 | 5,5 | 8,5 | 14 | 5 | 10 |
| AS57OR14 | G1/4 | 8 | 11,5 | 17 | 6 | 10 |
| AS57OR38 | G3/8 | 9 | 12,5 | 20 | 8 | 10 |
| AS57OR12 | G1/2 | 10 | 14 | 26 | 10 | 10 |

AS 57K



🇮🇹 Tappo esagonale conico BSPT

🇬🇧 Hexagonal male plug taper BSPT

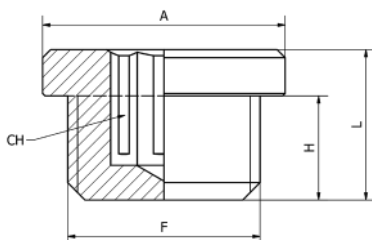
🇩🇪 Stopfen konisches Gewinde

🇫🇷 Bouchon à 6 pans mâle, conique BSPT

🇪🇸 Tapón macho cónico BSPT

| CODICE/CODE | F" | H | L | CH | PEZZI/PIECES |
|-------------|------|------|------|----|--------------|
| AS57K0018 | R1/8 | 7,5 | 11,5 | 10 | 10 |
| AS57K0014 | R1/4 | 11 | 15,5 | 14 | 10 |
| AS57K0038 | R3/8 | 11 | 16 | 17 | 10 |
| AS57K0012 | R1/2 | 12 | 17,5 | 22 | 10 |
| AS57K0034 | R3/4 | 15 | 21 | 27 | 10 |
| AS57K0001 | R1 | 15,5 | 22 | 34 | 10 |

AS 57B



🇮🇹 Tappo senza O-ring, esagono interno, cilindrico BSPP-metrico

🇬🇧 Male plug without O-ring, hexagonal inside, parallel BSPP-metric

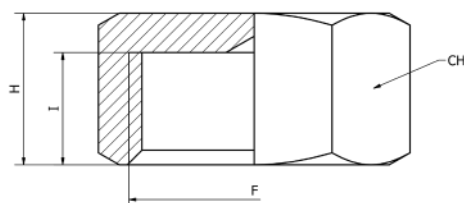
🇩🇪 Stopfen zylindrisches-metrisches Gewinde ohne O-Ring

🇫🇷 Bouchon à 6 pans creux, cylindrique BSPP-métrique

🇪🇸 Tapón macho cilíndrico hexágono interior BSPP-métrico

| CODICE/CODE | F | L | H | A | CH | PEZZI/PIECES |
|-------------|-----|------|----|----|-----|--------------|
| AS57B00M5 | M5 | 6,5 | 4 | 8 | 2,5 | 10 |
| AS57B0018 | 1/8 | 9,5 | 6 | 15 | 5 | 10 |
| AS57B0014 | 1/4 | 11,5 | 8 | 18 | 6 | 10 |
| AS57B0038 | 3/8 | 13 | 9 | 21 | 8 | 10 |
| AS57B0012 | 1/2 | 14,5 | 10 | 25 | 10 | 10 |
| AS57B0034 | 3/4 | 15,5 | 11 | 31 | 14 | 10 |
| AS57B0001 | 1" | 19 | 13 | 38 | 17 | 5 |

AS 58



🇮🇹 Tappo femmina cilindrico BSPP-metrico

🇬🇧 Female plug parallel BSPP-metric

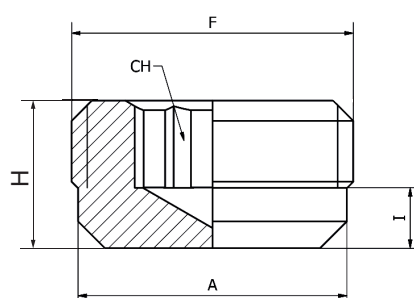
🇩🇪 Stopfen zylindrisches-metrisches Gewinde

🇫🇷 Bouchon femelle cylindrique BSPP-métrique

🇪🇸 Tapón hembra cilíndrico BSPP-métrico

| CODICE/CODE | F" | I | H | CH | PEZZI/PIECES |
|-------------|------|------|------|----|--------------|
| AS5800M5 | M5 | 5,5 | 7 | 8 | 10 |
| AS580018 | G1/8 | 9 | 11 | 14 | 10 |
| AS580014 | G1/4 | 11 | 13 | 17 | 10 |
| AS580038 | G3/8 | 11 | 13,5 | 21 | 10 |
| AS580012 | G1/2 | 11 | 13,5 | 24 | 10 |
| AS580034 | G3/4 | 12,5 | 15 | 30 | 10 |
| AS580001 | G1 | 12,5 | 15 | 38 | 10 |

AS 79



🇮🇹 Tappo a scomparsa cilindrico BSPP

🇬🇧 Hidden plug-parallel BSPP

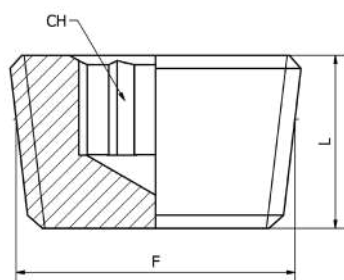
🇩🇪 Stopfen zylindrisches Gewinde

🇫🇷 Bouchon, cylindrique BSPP

🇪🇸 Tapón macho cilíndrico BSPP

| CODICE/CODE | F" | A | I | H | CH | PEZZI/PIECES |
|-------------|------|-----|-----|----|----|--------------|
| AS790018 | G1/8 | 7,5 | 2 | 8 | 5 | 10 |
| AS790014 | G1/4 | 10 | 3 | 10 | 6 | 10 |
| AS790038 | G3/8 | 10 | 3,5 | 12 | 8 | 10 |
| AS790012 | G1/2 | 11 | 4 | 14 | 10 | 10 |

AS 79K

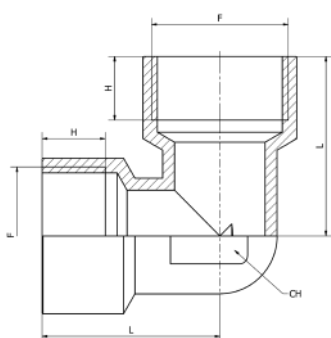


🇮🇹 Tappo a scomparsa conico BSPT

- 🇬🇧 Hidden plug-taper BSPT
- 🇩🇪 Stopfen konisches Gewinde
- 🇫🇷 Bouchon, conique BSPT
- 🇪🇸 Tapón macho cónico BSPT

| CODICE/CODE | F" | L | CH | PEZZI/PIECES |
|-------------|------|------|----|--------------|
| AS79K0018 | R1/8 | 7,5 | 5 | 10 |
| AS79K0014 | R1/4 | 10 | 6 | 10 |
| AS79K0038 | R3/8 | 10,5 | 8 | 10 |
| AS79K0012 | R1/2 | 13 | 10 | 10 |
| AS79K0034 | R3/4 | 15,5 | 14 | 10 |
| AS79K0001 | R1 | 17,5 | 17 | 10 |

AS 59

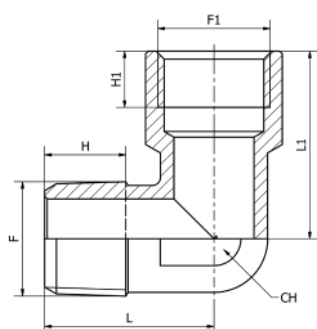


🇮🇹 Gomito femmina cilindrico BSPP

- 🇬🇧 Elbow female parallel BSPP
- 🇩🇪 Winkelstück zylindrisches Gewinde
- 🇫🇷 Equerre femelle cylindrique
- 🇪🇸 Racor a L hembra cilíndrico

| CODICE/CODE | F" | H | L | CH | PEZZI/PIECES |
|-------------|------|------|------|----|--------------|
| AS5900M5 | M5 | 4 | 11 | 9 | 10 |
| AS590018 | G1/8 | 8 | 21 | 10 | 10 |
| AS590014 | G1/4 | 11,5 | 25,5 | 13 | 10 |
| AS590038 | G3/8 | 11,5 | 28 | 17 | 10 |
| AS590012 | G1/2 | 14 | 33,5 | 21 | 10 |
| AS590034 | G3/4 | 16,5 | 36,5 | 25 | 10 |
| AS590001 | G1 | 19 | 45 | 30 | 10 |

AS 60K

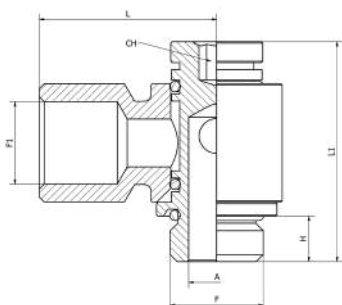


🇮🇹 Gomito maschio conico BSPT femmina cilindrico BSPP-metrico

- 🇬🇧 Elbow male taper BSPT female parallel BSPP-metric
- 🇩🇪 Winkelstück zylindrisches-konisches (metrisches) Gewinde
- 🇫🇷 Equerre mâle conique - femelle cylindrique BSPP-métrique
- 🇪🇸 Racor a L macho cónico - hembra cilíndrico BSPP-métrico

| CODICE/CODE | F" | F1" | H | H1 | L | L1 | CH | PEZZI/PIECES |
|-------------|------|------|----|------|------|------|----|--------------|
| AS6000M5 | M5 | M5 | 4 | 5 | 11,5 | 11 | 9 | 10 |
| AS60K0018 | R1/8 | G1/8 | 8 | 6 | 18,5 | 21 | 10 | 10 |
| AS60K0014 | R1/4 | G1/4 | 11 | 8 | 24 | 26 | 13 | 10 |
| AS60K0038 | R3/8 | G3/8 | 12 | 10 | 26,5 | 29 | 17 | 10 |
| AS60K0012 | R1/2 | G1/2 | 14 | 14 | 31 | 33,5 | 21 | 10 |
| AS60K0034 | R3/4 | G3/4 | 16 | 16,5 | 33 | 36,5 | 25 | 10 |
| AS60K0001 | R1 | G1 | 17 | 19 | 39 | 45 | 30 | 10 |

AS 60

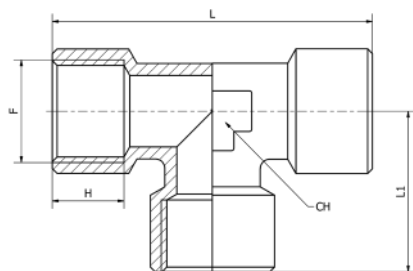


🇮🇹 Banjo singolo femmina girevole cilindrico BSPP

- 🇬🇧 Single banjo female rotating body parallel BSPP
- 🇩🇪 L Verschraubung drehbar zylindrisches Gewinde
- 🇫🇷 Raccord banjo femelle orientable cylindrique BSPP
- 🇪🇸 Racor banjo hembra orientable cilíndrico con tórica BSPP

| CODICE/CODE | F" | F1" | H | ØA | L | L1 | CHi | PEZZI/PIECES |
|-------------|------|------|-----|-----|----|------|-----|--------------|
| AS601414 | G1/4 | G1/4 | 6,5 | 7,8 | 25 | 31,5 | 4 | 10 |

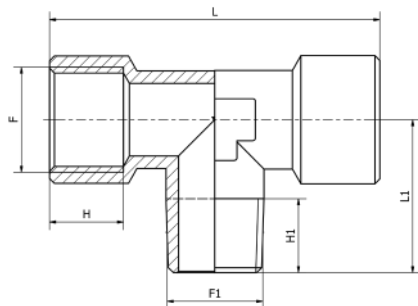
AS 61



- T femmina cilindrico BSPP**
- T female parallel BSPP
- T Stück zylindrisches Gewinde
- Té égal femelle cylindrique BSPP
- Racor a T hembra cilíndrico BSPP

| CODICE/CODE | F" | H | L | L1 | CH | PEZZI/PIECES |
|-----------------|------|------|----|------|----|--------------|
| AS6100M5 | M5 | 5 | 22 | 11 | 9 | 10 |
| AS610018 | G1/8 | 8 | 42 | 21 | 10 | 10 |
| AS610014 | G1/4 | 11 | 51 | 25,5 | 13 | 10 |
| AS610038 | G3/8 | 11,5 | 56 | 28 | 17 | 10 |
| AS610012 | G1/2 | 14 | 67 | 33,5 | 21 | 10 |
| AS610034 | G3/4 | 16,5 | 73 | 36,5 | 25 | 10 |
| AS610001 | G1 | 19 | 90 | 45 | 30 | 10 |

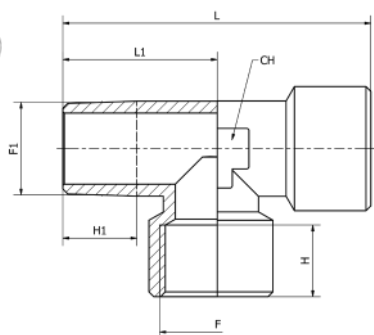
AS 62K



- T centrale conico BSPT-metrico**
- T central male taper BSPT-metric
- T Stück konisches-metrisches Gewinde
- Té égal femelle, centre mâle conique, métrique
- Racor a T macho central cónico, métrico

| CODICE/CODE | F" | F1" | H | H1 | L | L1 | CH | PEZZI/PIECES |
|------------------|------|------|------|------|----|------|----|--------------|
| AS6200M5 | M5 | M5 | 5 | 4 | 22 | 11,5 | 9 | 10 |
| AS62K0018 | G1/8 | R1/8 | 8 | 8 | 42 | 18,5 | 10 | 10 |
| AS62K0014 | G1/4 | R1/4 | 8 | 11 | 51 | 23,5 | 13 | 10 |
| AS62K0038 | G3/8 | R3/8 | 11,5 | 11,5 | 56 | 26 | 17 | 10 |
| AS62K0012 | G1/2 | R1/2 | 14 | 14 | 67 | 31 | 21 | 10 |
| AS62K0034 | G3/4 | R3/4 | 16,5 | 16 | 73 | 33 | 25 | 10 |
| AS62K0001 | G1 | R1 | 19 | 17,5 | 90 | 39 | 30 | 10 |

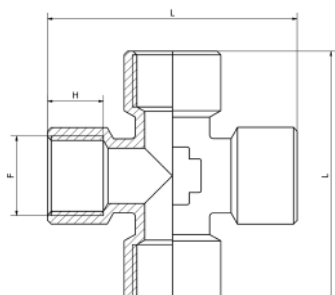
AS 63K



- T laterale conico BSPT-metrico**
- Lateral T male taper BSPT-metric
- T Stück konisches-metrisches Gewinde
- Té égal femelle, en bout mâle, conique, métrique
- Racor a T macho lateral cónico, métrico

| CODICE/CODE | F" | F1" | H | H1 | L | L1 | CH | PEZZI/PIECES |
|------------------|------|------|------|------|------|------|----|--------------|
| AS6300M5 | M5 | M5 | 5 | 4 | 22,5 | 12 | 9 | 10 |
| AS63K0018 | G1/8 | R1/8 | 8 | 8 | 39,5 | 18,5 | 10 | 10 |
| AS63K0014 | G1/4 | R1/4 | 8 | 11,5 | 50 | 24 | 13 | 10 |
| AS63K0038 | G3/8 | R3/8 | 8,5 | 11,5 | 54 | 26,5 | 17 | 10 |
| AS63K0012 | G1/2 | R1/2 | 14 | 14 | 64,5 | 31 | 21 | 10 |
| AS63K0034 | G3/4 | R3/4 | 16,5 | 16 | 69,5 | 33 | 25 | 10 |
| AS63K0001 | G1 | R1 | 19 | 17,5 | 84 | 39 | 30 | 10 |

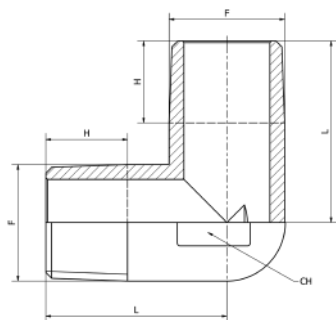
AS 64



- Croce femmina cilindrico BSPP**
- Female cross parallel BSPP
- Kreuzstück konisches-metrisches Gewinde
- Croix égale femelle cylindrique BSPP
- Racor a cruz hembra cilíndrico BSPP

| CODICE/CODE | F" | H | L | CH | PEZZI/PIECES |
|-----------------|------|------|----|----|--------------|
| AS640018 | G1/8 | 8 | 42 | 10 | 10 |
| AS640014 | G1/4 | 11 | 51 | 13 | 10 |
| AS640038 | G3/8 | 11,5 | 56 | 17 | 10 |
| AS640012 | G1/2 | 14 | 67 | 21 | 10 |

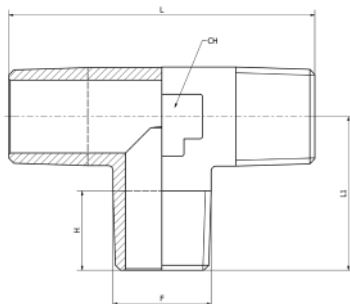
AS 65K



- Gomito maschio conico BSPT-metrico**
- Elbow male taper BSPT-metric
- Winkelstück konisches-metrisches Gewinde
- Equerre mâle, conique BSPT- métrique
- Racor a L macho cónico BSPT- métrico

| CODICE/CODE | F" | F1" | H | H1 | L | L1 | CH | PEZZI/PIECES |
|------------------|------|------|------|------|------|------|----|--------------|
| AS6500M5 | M5 | M5 | 4 | 4 | 11,5 | 11,5 | 9 | 10 |
| AS65K0018 | R1/8 | R1/8 | 8 | 8 | 18,5 | 18,5 | 10 | 10 |
| AS65K1418 | R1/4 | R1/8 | 11 | 8 | 21,5 | 18,5 | 10 | 10 |
| AS65K0014 | R1/4 | R1/4 | 11,5 | 11,5 | 24 | 24 | 13 | 10 |
| AS65K0038 | R3/8 | R3/8 | 11,5 | 11,5 | 26 | 26 | 17 | 10 |
| AS65K0012 | R1/2 | R1/2 | 14 | 14 | 31 | 31 | 21 | 10 |
| AS65K0034 | R3/4 | R3/4 | 16 | 16 | 33 | 33 | 25 | 10 |
| AS65K0001 | R1 | R1 | 17 | 17 | 39 | 39 | 30 | 10 |

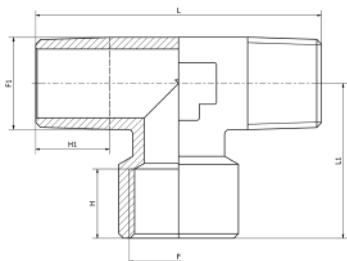
AS 66K



- T maschio conico BSPT-metrico**
- T male taper BSPT-metric
- T Stück konisches-metrisches Gewinde
- Té à piquage latéral, mâle, conique BSPT- métrique
- Racor a T orientable macho lateral cónico BSPT- métrico

| CODICE/CODE | F" | H | L | L1 | CH | PEZZI/PIECES |
|------------------|------|------|------|------|----|--------------|
| AS6600M5 | M5 | 5 | 27,5 | 13,5 | 8 | 10 |
| AS66K0018 | R1/8 | 10,5 | 38 | 19 | 10 | 10 |
| AS66K0014 | R1/4 | 11 | 47 | 23,5 | 13 | 10 |
| AS66K0038 | R3/8 | 11,5 | 52 | 26 | 17 | 10 |
| AS66K0012 | R1/2 | 14 | 62 | 31 | 21 | 10 |
| AS66K0034 | R3/4 | 16 | 66,4 | 33 | 25 | 10 |
| AS66K0001 | R1 | 17,5 | 78 | 39 | 30 | 10 |

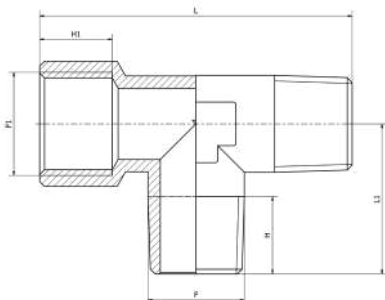
AS 67K



- T femmina doppio laterale conico BSPT-metrico**
- Double lateral female T taper BSPT-metric
- T Stück Innengewinde konisches-metrisches Gewinde
- Té égal femelle double, conique BSPT- métrique
- Racor a T hembra doble, cónico BSPT- métrico

| CODICE/CODE | F" | F1" | H | H1 | L | L1 | CH | PEZZI/PIECES |
|------------------|------|------|------|------|------|------|----|--------------|
| AS6700M5 | M5 | M5 | 5,5 | 5 | 27,5 | 13 | 8 | 10 |
| AS67K0018 | G1/8 | R1/8 | 8 | 8 | 37 | 21 | 10 | 10 |
| AS67K0014 | G1/4 | R1/4 | 11 | 11 | 47 | 25,5 | 13 | 10 |
| AS67K0038 | G3/8 | R3/8 | 11,5 | 11,5 | 52 | 28 | 17 | 10 |
| AS67K0012 | G1/2 | R1/2 | 15 | 14 | 62 | 33,5 | 21 | 10 |
| AS67K0034 | G3/4 | R3/4 | 16,5 | 16 | 66,4 | 36,5 | 25 | 10 |
| AS67K0001 | G1 | R1 | 19 | 17,5 | 78 | 45 | 30 | 10 |

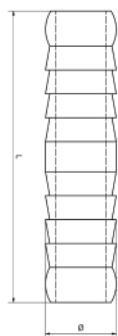
AS 68K



- T femmina laterale-centrale conico BSPT-metrico**
- Lateral-central female T taper BSPT-metric
- T Stück konisches-metrisches Gewinde
- Té égal femelle latéral-centre, conique BSPT- métrique
- Racor a T hembra lateral-central, cónico BSPT- métrico

| CODICE/CODE | F" | F1" | H | H1 | L | L1 | CH | PEZZI/PIECES |
|------------------|------|------|------|------|------|------|----|--------------|
| AS6800M5 | M5 | M5 | 5 | 5,5 | 26 | 12 | 8 | 10 |
| AS68K0018 | R1/8 | G1/8 | 8 | 8 | 39,5 | 18,5 | 10 | 10 |
| AS68K0014 | R1/4 | G1/4 | 11,5 | 7,5 | 49 | 25 | 13 | 10 |
| AS68K0038 | R3/8 | G3/8 | 11,5 | 11,5 | 54 | 26 | 17 | 10 |
| AS68K0012 | R1/2 | G1/2 | 14 | 14 | 64,5 | 31 | 21 | 10 |
| AS68K0034 | R3/4 | G3/4 | 16 | 16,5 | 69,5 | 33 | 25 | 10 |
| AS68K0001 | R1 | G1 | 17,5 | 19 | 84 | 39 | 30 | 10 |

AS 69D



Portagomma a resca doppio

Double hose adapter

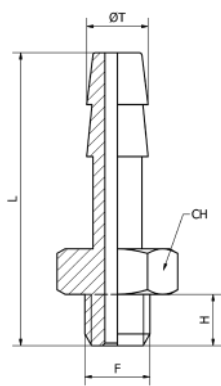
Schlauchtülle

Embout à douille annelée pour tube, double

Adaptador espiga, doble

| CODICE/CODE | L | Ø | PEZZI/PIECES |
|------------------|------|----|--------------|
| AS69D0006 | 36 | 6 | 10 |
| AS69D0008 | 44,5 | 8 | 10 |
| AS69D0010 | 44,5 | 10 | 10 |

AS 69



Portagomma maschio cilindrico BSPP-metrico

Hose male adapter parallel BSPP-metric

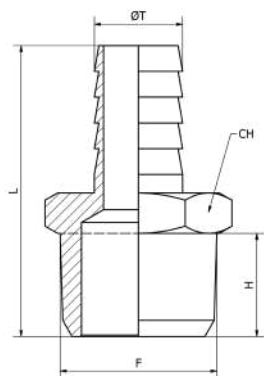
Schlauchtülle zylindrisches-metrisches Gewinde

Douille annelée, cylindrique BSPP-métrique


Espiga macho, cilíndrica BSPP-métrico


| CODICE/CODE | ØT | F" | H | L | CH | PEZZI/PIECES |
|-----------------|-----|------|----|------|----|--------------|
| AS69M504 | 4,5 | M5 | 4 | 22,5 | 8 | 10 |
| AS691806 | 6 | G1/8 | 6 | 29,5 | 12 | 10 |
| AS691406 | 6 | G1/4 | 8 | 32 | 14 | 10 |
| AS691807 | 7 | G1/8 | 6 | 29,5 | 12 | 10 |
| AS691407 | 7 | G1/4 | 8 | 32 | 14 | 10 |
| AS691808 | 8 | G1/8 | 6 | 29,5 | 12 | 10 |
| AS691408 | 8 | G1/4 | 8 | 32 | 14 | 10 |
| AS693808 | 8 | G3/8 | 9 | 33 | 19 | 10 |
| AS691809 | 9 | G1/8 | 6 | 29,5 | 12 | 10 |
| AS691409 | 9 | G1/4 | 8 | 32 | 14 | 10 |
| AS693809 | 9 | G3/8 | 9 | 33 | 19 | 10 |
| AS691810 | 10 | G1/8 | 6 | 30,5 | 12 | 10 |
| AS691410 | 10 | G1/4 | 8 | 33 | 14 | 10 |
| AS693810 | 10 | G3/8 | 9 | 34 | 19 | 10 |
| AS691412 | 12 | G1/4 | 8 | 33 | 14 | 10 |
| AS693812 | 12 | G3/8 | 9 | 34 | 19 | 10 |
| AS691212 | 12 | G1/2 | 10 | 35,5 | 22 | 10 |
| AS693814 | 14 | G3/8 | 9 | 34 | 19 | 10 |
| AS691214 | 14 | G1/2 | 10 | 37,5 | 22 | 10 |
| AS693817 | 17 | G3/8 | 9 | 37 | 19 | 10 |
| AS691217 | 17 | G1/2 | 10 | 39,5 | 22 | 10 |
| AS693418 | 18 | G3/4 | 11 | 41,5 | 30 | 10 |
| AS691220 | 20 | G1/2 | 10 | 39,5 | 22 | 10 |
| AS693420 | 20 | G3/4 | 11 | 41,5 | 30 | 10 |

AS 69K




 **Portagomma maschio conico BSPT**

 Hose male adapter taper BSPT

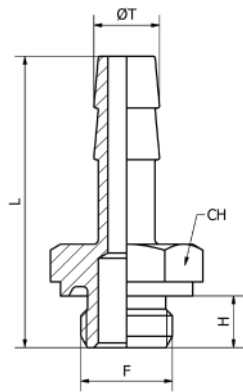
 Schlauchtülle konisches Gewinde

 Douille annelée droit, conique BSPT

 Espiga recta macho cónica BSPT

| CODICE/CODE | ØT | F" | H | L | CH | PEZZI/PIECES |
|------------------|----|------|------|------|----|--------------|
| AS69K1806 | 6 | R1/8 | 8 | 31,5 | 12 | 10 |
| AS69K1406 | 6 | R1/4 | 11 | 35 | 14 | 10 |
| AS69K1807 | 7 | R1/8 | 8 | 31,5 | 12 | 10 |
| AS69K1407 | 7 | R1/4 | 11 | 35 | 14 | 10 |
| AS69K1808 | 8 | R1/8 | 8 | 31,5 | 12 | 10 |
| AS69K1408 | 8 | R1/4 | 11 | 35 | 14 | 10 |
| AS69K1809 | 9 | R1/8 | 8 | 31,5 | 12 | 10 |
| AS69K1409 | 9 | R1/4 | 11 | 35 | 14 | 10 |
| AS69K3809 | 9 | R3/8 | 11,5 | 35,5 | 17 | 10 |
| AS69K1209 | 9 | R1/2 | 14 | 38,5 | 22 | 10 |
| AS69K1810 | 10 | R1/8 | 8 | 32,5 | 12 | 10 |
| AS69K1410 | 10 | R1/4 | 11 | 36 | 14 | 10 |
| AS69K3810 | 10 | R3/8 | 11,5 | 36,5 | 17 | 10 |
| AS69K1210 | 10 | R1/2 | 14 | 39,5 | 22 | 10 |
| AS69K1412 | 12 | R1/4 | 11 | 36 | 14 | 10 |
| AS69K3812 | 12 | R3/8 | 11,5 | 36,5 | 17 | 10 |
| AS69K1212 | 12 | R1/2 | 14 | 39,5 | 22 | 10 |
| AS69K3814 | 14 | R3/8 | 11,5 | 38,5 | 17 | 10 |
| AS69K1214 | 14 | R1/2 | 14 | 41,5 | 22 | 10 |
| AS69K3816 | 16 | R3/8 | 11,5 | 38,5 | 17 | 10 |
| AS69K1216 | 16 | R1/2 | 14 | 41,5 | 22 | 10 |
| AS69K3416 | 16 | R3/4 | 16,5 | 45 | 27 | 10 |
| AS69K3817 | 17 | R3/8 | 11,5 | 40,5 | 18 | 10 |
| AS69K1217 | 17 | R1/2 | 14 | 43,5 | 22 | 10 |
| AS69K3818 | 18 | R3/8 | 11,5 | 40,5 | 19 | 10 |
| AS69K1218 | 18 | R1/2 | 14 | 43,5 | 22 | 10 |
| AS69K3418 | 18 | R3/4 | 16,5 | 47 | 27 | 10 |
| AS69K3820 | 20 | R3/8 | 11,5 | 41 | 22 | 10 |
| AS69K1220 | 20 | R1/2 | 14 | 43,5 | 22 | 10 |
| AS69K3420 | 20 | R3/4 | 16,5 | 46,5 | 27 | 10 |
| AS69K3425 | 25 | R3/4 | 16,5 | 53 | 27 | 10 |
| AS69K0125 | 25 | R 1 | 19 | 56 | 34 | 10 |

AS 69OR



Portagomma maschio con O-ring cilindrico BSPP-metrico

Hose male adapter with O-ring parallel BSPP-metric

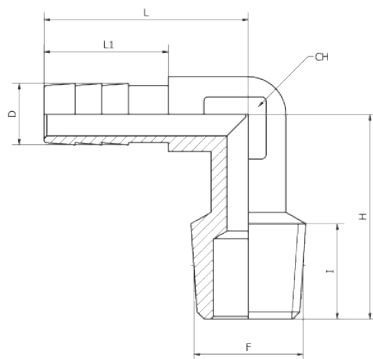
Schlauchtülle zylindrisches Gewinde mit O-Ring

Douille annelée, cylindrique BSPP-métrique avec o-ring

Espiga macho, cilíndrica BSPP-métrico con o-ring

| CODICE/CODE | ØT | F" | H | L | CH | PEZZI/PIECES |
|-------------|-----|------|-----|------|----|--------------|
| AS69ORM545 | 4,5 | M5 | 4,5 | 23 | 8 | 10 |
| AS69OR1806 | 6 | G1/8 | 6,5 | 30 | 14 | 10 |
| AS69OR1406 | 6 | G1/4 | 8 | 32 | 17 | 10 |
| AS69OR3806 | 6 | G3/8 | 9 | 33 | 20 | 10 |
| AS69OR1807 | 7 | G1/8 | 6,5 | 30 | 14 | 10 |
| AS69OR1407 | 7 | G1/4 | 8 | 32 | 17 | 10 |
| AS69OR1808 | 8 | G1/8 | 6,5 | 30 | 14 | 10 |
| AS69OR1408 | 8 | G1/4 | 8 | 32 | 17 | 10 |
| AS69OR3808 | 8 | G3/8 | 9 | 33 | 20 | 10 |
| AS69OR1809 | 9 | G1/8 | 6,5 | 30 | 14 | 10 |
| AS69OR1409 | 9 | G1/4 | 8 | 32 | 17 | 10 |
| AS69OR3809 | 9 | G3/8 | 9 | 33 | 20 | 10 |
| AS69OR1810 | 10 | G1/8 | 6 | 31,5 | 14 | 10 |
| AS69OR1410 | 10 | G1/4 | 8 | 34 | 17 | 10 |
| AS69OR1412 | 12 | G1/4 | 8 | 33 | 17 | 10 |
| AS69OR3812 | 12 | G3/8 | 9 | 34 | 20 | 10 |
| AS69OR1212 | 12 | G1/2 | 10 | 35,5 | 24 | 10 |
| AS69OR3817 | 17 | G3/8 | 9 | 38 | 20 | 10 |
| AS69OR1217 | 17 | G1/2 | 10 | 39,5 | 24 | 10 |

AS 69KL



Gomito 90° portagomma maschio conico BSPT

Elbow 90° hose male adaptor taper

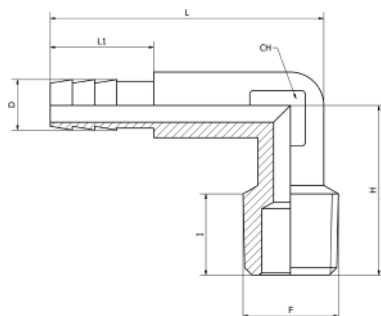
BSPT Winkelschlauchtülle 90° konisches Gewinde

Equerre mâle, conique BSPT

Racor a L macho cónico BSPT

| CODICE/CODE | ØD | F" | I | H | L | L1 | CH | PEZZI/PIECES |
|-------------|----|------|----|------|------|----|----|--------------|
| AS69KL1806A | 6 | R1/8 | 8 | 18,5 | 22,5 | 14 | 8 | 10 |
| AS69KL1806B | 6 | R1/8 | 10 | 23 | 22,5 | 14 | 8 | 10 |
| AS69KL1406 | 6 | R1/4 | 11 | 23 | 23 | 14 | 9 | 10 |
| AS69KL1807A | 7 | R1/8 | 8 | 18,5 | 22,5 | 14 | 8 | 10 |
| AS69KL1807B | 7 | R1/8 | 10 | 23 | 22,5 | 14 | 8 | 10 |
| AS69KL1407 | 7 | R1/4 | 11 | 23 | 23 | 14 | 9 | 10 |

AS 93KL



Gomito 90° portagomma maschio conico BSPT serie lunga

Elbow 90° hose male adaptor taper BSPT long serie

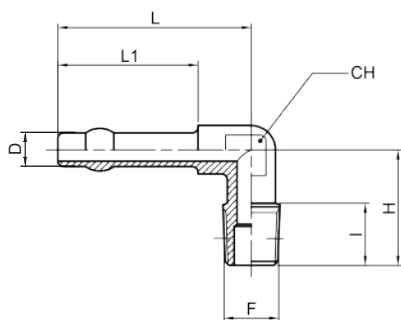
Winkelschlauchtülle 90° Lang konisches Gewinde

Equerre mâle, conique BSPT, long

Racor a L macho cónico BSPT, largo

| CODICE/CODE | ØD | F" | I | H | L | L1 | CH | PEZZI/PIECES |
|-------------|----|------|----|------|------|----|----|--------------|
| AS93KL1806A | 6 | R1/8 | 10 | 22 | 32,5 | 14 | 9 | 10 |
| AS93KL1806B | 6 | R1/8 | 8 | 18,5 | 38 | 22 | 8 | 10 |
| AS93KL1406A | 6 | R1/4 | 11 | 23 | 32,5 | 14 | 9 | 10 |
| AS93KL1807A | 7 | R1/8 | 10 | 22 | 32,5 | 14 | 9 | 10 |
| AS93KL1807B | 7 | R1/8 | 8 | 18,5 | 38 | 22 | 8 | 10 |
| AS93KL1407B | 7 | R1/4 | 11 | 23 | 32,5 | 14 | 9 | 10 |

AS 94KL

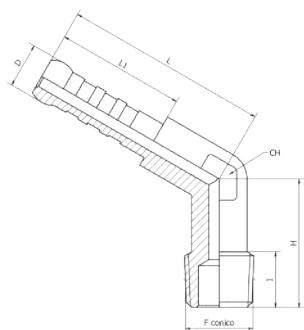


Gomito 90° portagomma maschio conico BSPT raggiato

- Elbow 90° hose male adaptor taper BSPT
- Winkelschlauchtülle 90° konisches Gewinde
- Equerre mâle, conique BSPT
- Racor a L macho cónico BSPT

| CODICE/CODE | ØD | F" | I | H | L | L1 | CH | PEZZI/PIECES |
|-------------------|----|------|----|------|------|----|----|--------------|
| AS94KL1806 | 6 | R1/8 | 11 | 20,5 | 34,5 | 25 | 9 | 10 |
| AS94KL1807 | 7 | R1/8 | 11 | 20,5 | 34,5 | 25 | 9 | 10 |
| AS94KL1406 | 6 | R1/4 | | | | | | 10 |
| AS94KL1407 | 7 | R1/4 | | | | | | 10 |

AS 95KL

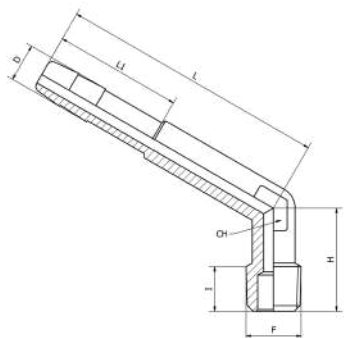


Gomito 120° portagomma maschio conico BSPT raggiato

- Elbow 120° hose male adaptor taper BSPT
- Winkelschlauchtülle 120° konisches Gewinde
- Equerre 120°mâle, conique BSPT
- Racor 120° macho cónico BSPT

| CODICE/CODE | ØD | F" | I | H | L | L1 | CH | PEZZI/PIECES |
|-------------------|----|------|---|------|------|----|----|--------------|
| AS95KL1806 | 6 | R1/8 | 8 | 18,5 | 29,5 | 20 | 8 | 10 |
| AS95KL1807 | 7 | R1/8 | 8 | 18,5 | 29,5 | 20 | 8 | 10 |

AS 96KL

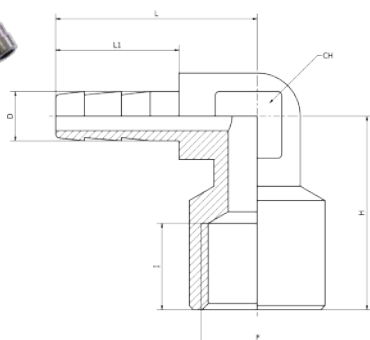


Gomito 120° portagomma maschio conico BSPT serie lunga

- Elbow 120° hose male adaptor taper BSPT long serie
- Winkelschlauchtülle 120° Lang konisches Gewinde
- Equerre 120°mâle, conique BSPT, long
- Racor 120° macho cónico BSPT, largo

| CODICE/CODE | ØD | F" | I | H | L | L1 | CH | PEZZI/PIECES |
|-------------------|----|------|---|------|----|----|----|--------------|
| AS96KL1806 | 6 | R1/8 | 8 | 18,5 | 38 | 23 | 8 | 10 |
| AS96KL1807 | 7 | R1/8 | 8 | 18,5 | 38 | 23 | 8 | 10 |

AS 97F

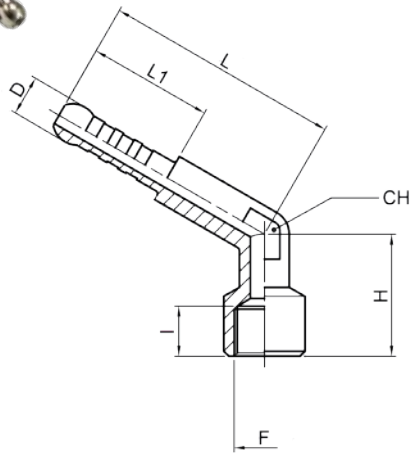


Gomito 90° portagomma femmina

- Elbow 90° hose female adaptor
- Winkelschlauchtülle 90° Lang
- Equerre femelle
- Racor a L hembra

| CODICE/CODE | ØD | F | I | H | L | L1 | CH | PEZZI/PIECES |
|------------------|----|-----|----|------|----|----|----|--------------|
| AS97F1806 | 6 | 1/8 | 8 | 22 | 22 | 13 | 9 | 10 |
| AS97F1406 | 6 | 1/4 | 11 | 23,5 | 24 | 13 | 13 | 10 |
| AS97F1807 | 7 | 1/8 | 8 | 22 | 24 | 13 | 9 | 10 |
| AS97F1407 | 7 | 1/4 | 11 | 23,5 | 24 | 13 | 13 | 10 |

AS 98F



Gomito 120° portagomma femmina raggiato

Elbow 120° hose female adaptor

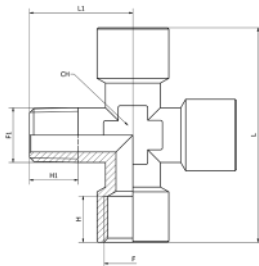
Winkelschlauchtülle 120° Lang

Equerre 120°femelle

Racor 120° hembra

| CODICE/CODE | ØD | F | I | H | L | L1 | CH | PEZZI/PIECES |
|------------------|----|-----|---|------|----|----|----|--------------|
| AS98F1806 | 6 | 1/8 | 8 | 19,5 | 38 | 20 | 8 | 10 |
| AS98F1807 | 7 | 1/8 | 8 | 19,5 | 38 | 20 | 8 | 10 |

AS 70K



Croce 3 femmine 1 maschio conico BSPT

Cross 3 female 1 male taper BSPT

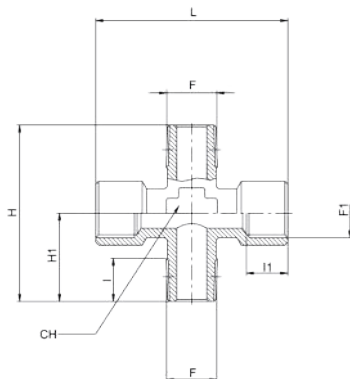
Kreuzstück konisches Gewinde

Croix égale mâle/femelle, conique BSPT

Racor a cruz macho-hembra, cónica BSPT

| CODICE/CODE | F" | F1" | H | H1 | L | L1 | CH | PEZZI/PIECES |
|------------------|------|------|------|------|----|------|----|--------------|
| AS70K0018 | G1/8 | R1/8 | 8 | 8 | 42 | 18,5 | 10 | 10 |
| AS70K0014 | G1/4 | R1/4 | 11 | 11 | 51 | 23,5 | 13 | 10 |
| AS70K0038 | G3/8 | R3/8 | 11,5 | 11,5 | 56 | 26 | 17 | 10 |
| AS70K0012 | G1/2 | R1/2 | 14 | 14 | 67 | 31 | 21 | 10 |

AS 71K



Croce 2 femmine 2 maschi conico BSPT

Cross 2 female 2 males taper BSPT

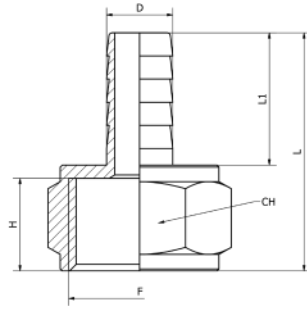
Kreuzstück konisches Gewinde






Croix 2 mâle 2 femelle, conique BSPT

Racor a cruz 2 macho 2 hembra, cónica BSPT

| CODICE/CODE | F" | F1" | I | I1 | H | H1 | L | CH | PEZZI/PIECES |
|------------------|-----|-----|----|----|----|------|----|----|--------------|
| AS71K0014 | 1/4 | 1/4 | 11 | 11 | 47 | 23,5 | 51 | 13 | 10 |

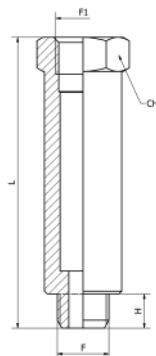
AS 72








-  **Portagomma femmina cilindrico BSPP**
-  **Hose female adapter parallel BSPP**
-  **Schlauchtülle Innengewinde zylindrisches Gewinde**
-  **Douille annelée femelle cylindrique BSPP**
-  **Espiga hembra cilíndrico BSPP**

| CODICE/CODE | Ø D | F" | H | L | L1 | CH | PEZZI/PIECES |
|-------------|-----|------|------|------|------|----|--------------|
| AS721806 | 6 | G1/8 | 8 | 28,5 | 19 | 12 | 10 |
| AS721406 | 6 | G1/4 | 11 | 31,5 | 19 | 15 | 10 |
| AS721807 | 7 | G1/8 | 8 | 28,5 | 19 | 12 | 10 |
| AS721407 | 7 | G1/4 | 11 | 31,5 | 19 | 15 | 10 |
| AS721808 | 8 | G1/8 | 8 | 28,5 | 19 | 12 | 10 |
| AS721408 | 8 | G1/4 | 7,5 | 31,5 | 19 | 15 | 10 |
| AS723808 | 8 | G3/8 | 10 | 34,5 | 19,5 | 19 | 10 |
| AS721208 | 8 | G1/2 | 10 | 32,5 | 19 | 24 | 10 |
| AS721809 | 9 | G1/8 | 8 | 28,5 | 19 | 12 | 10 |
| AS721409 | 9 | G1/4 | 11 | 31,5 | 19 | 15 | 10 |
| AS723809 | 9 | G3/8 | 11,5 | 32 | 19 | 19 | 10 |
| AS721810 | 10 | G1/8 | 8 | 29,5 | 20 | 12 | 10 |
| AS721410 | 10 | G1/4 | 11 | 32,5 | 20 | 15 | 10 |
| AS723810 | 10 | G3/8 | 11,5 | 33 | 20 | 19 | 10 |
| AS721210 | 10 | G1/2 | 14 | 36 | 20 | 24 | 10 |
| AS721412 | 12 | G1/4 | 11 | 32,5 | 20 | 15 | 10 |
| AS723812 | 12 | G3/8 | 11,5 | 33 | 20 | 19 | 10 |
| AS721212 | 12 | G1/2 | 14 | 36 | 20 | 24 | 10 |
| AS723814 | 14 | G3/8 | 11,5 | 35 | 22 | 19 | 10 |
| AS721214 | 14 | G1/2 | 14 | 38 | 22 | 24 | 10 |
| AS723816 | 16 | G3/8 | 11,5 | 35 | 22 | 19 | 10 |
| AS721216 | 16 | G1/2 | 14 | 38 | 22 | 24 | 10 |
| AS723817 | 17 | G3/8 | 11,5 | 37 | 24 | 19 | 10 |
| AS721217 | 17 | G1/2 | 14 | 40 | 24 | 24 | 10 |
| AS721218 | 18 | G1/2 | 14 | 40 | 24 | 24 | 10 |
| AS723418 | 18 | G3/4 | 15 | 41,5 | 24 | 29 | 10 |
| AS721220 | 20 | G1/2 | 14 | 40,5 | 23 | 24 | 10 |
| AS723420 | 20 | G3/4 | 15 | 41,5 | 24 | 29 | 10 |
| AS723425 | 25 | G3/4 | 15 | 47,5 | 30 | 29 | 10 |

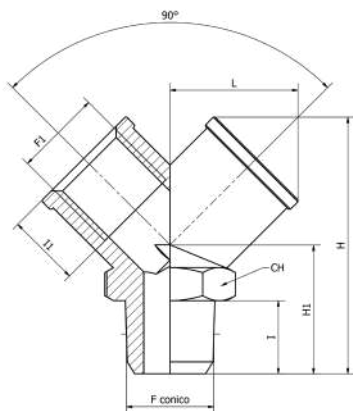
AS 73



-  **Prolunga cilindrico BSPP**
-  **Extension parallel BSPP**
-  **Verlängerung zylindrisches Gewinde**
-  **Rallonge égale, cylindrique BSPP**
-  **Prolongación cilíndrica BSPP**

| CODICE/CODE | F" | F1" | H | L | CH | PEZZI/PIECES |
|-------------|------|------|----|----|----|--------------|
| AS731822 | G1/8 | G1/8 | 6 | 22 | 14 | 10 |
| AS731832 | G1/8 | G1/8 | 7 | 32 | 14 | 10 |
| AS731842 | G1/8 | G1/8 | 6 | 42 | 14 | 10 |
| AS731851 | G1/8 | G1/8 | 6 | 51 | 14 | 10 |
| AS731428 | G1/4 | G1/4 | 8 | 28 | 17 | 10 |
| AS731435 | G1/4 | G1/4 | 8 | 35 | 17 | 10 |
| AS731451 | G1/4 | G1/4 | 8 | 51 | 17 | 10 |
| AS733841 | G3/8 | G3/8 | 9 | 41 | 22 | 10 |
| AS731236 | G1/2 | G1/2 | 10 | 36 | 24 | 10 |
| AS733450 | G3/4 | G3/4 | 12 | 50 | 30 | 10 |
| AS730150 | G1 | G1 | 12 | 50 | 38 | 10 |

AS 75K



Y maschio conico BSPT

Y male taper BSPT

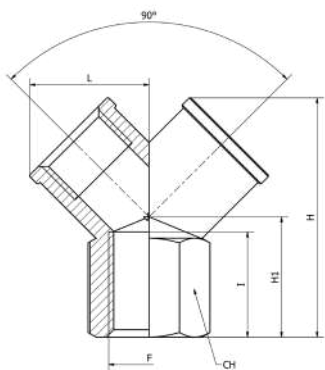
Y Verteiler Außengewinde konisches Gewinde

Y simple mâle, conique BSPT

Racor a Y macho cónico con tórica BSPT

| CODICE/CODE | F" | F1" | I | I1 | H1 | L | H | CH | PEZZI/PIECES |
|------------------|------|------|------|------|----|------|------|----|--------------|
| AS75K0018 | R1/8 | G1/8 | 8 | 8 | 16 | 14,5 | 32 | 13 | 10 |
| AS75K0014 | R1/4 | G1/4 | 11 | 11 | 20 | 18 | 38 | 17 | 10 |
| AS75K0038 | R3/8 | G3/8 | 11,5 | 11,5 | 22 | 20,5 | 42,5 | 20 | 10 |
| AS75K0012 | R1/2 | G1/2 | 14 | 14 | 27 | 26,5 | 53 | 25 | 10 |

AS 76



Y femmina cilindrico BSPP

Y female parallel BSPP

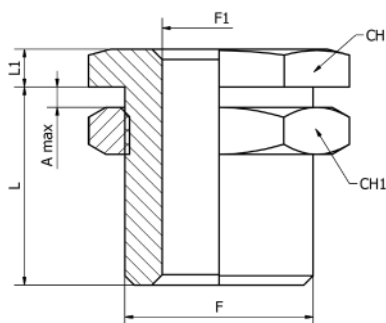
Y Verteiler Innengewinde

Y simple femelle, cylindrique BSPP

Racor a y hembra cónica con tórica BSPP

| CODICE/CODE | F" | I | H1 | L | H | CH | PEZZI/PIECES |
|-----------------|------|------|----|------|------|----|--------------|
| AS760018 | G1/8 | 8 | 12 | 14,5 | 26,5 | 13 | 10 |
| AS760014 | G1/4 | 11 | 14 | 18 | 32 | 17 | 10 |
| AS760038 | G3/8 | 11,5 | 16 | 20,5 | 37 | 20 | 10 |
| AS760012 | G1/2 | 14 | 19 | 26,5 | 45 | 25 | 10 |

AS 77



Diritto femmina passalamiera cilindrico BSPP-metrico

Straight female bulkhead parallel BSPP -metric

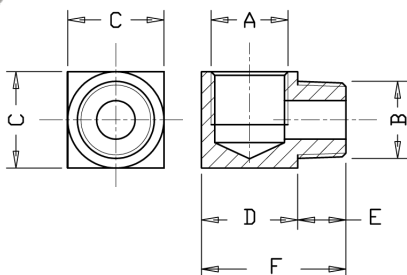
Schottverschraubung

Traversée de cloison cylindrique BSPP-métrique

Racor pasatabiques cilíndrico BSPP-métrico

| CODICE/CODE | F" | F1" | A max | L | L1 | CH | CH1 | PEZZI/PIECES |
|-----------------|---------|------|-------|------|-----|----|-----|--------------|
| AS7700M5 | M10x1 | M5 | 7 | 10,5 | 3,5 | 14 | 14 | 10 |
| AS770018 | M16x1.5 | G1/8 | 10 | 14 | 4 | 19 | 22 | 10 |
| AS770014 | M20x1.5 | G1/4 | 16 | 21 | 4 | 24 | 27 | 10 |
| AS770038 | M26x1.5 | G3/8 | 15 | 21 | 5 | 30 | 32 | 10 |
| AS770012 | M28x1.5 | G1/2 | 21 | 27 | 6 | 32 | 36 | 10 |

AS 80K



L maschio conico BSPT femmina cilindrico BSPP-metrico

Elbow male taper BSPT female parallel BSPP-metric

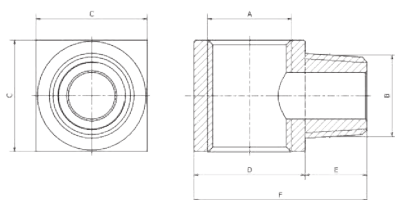
Winkelverschraubung konisches Gewindeisch/zylindrisch-metrisch

Raccord L mâle / femelle

Racor a L macho-hembra

| CODICE/CODE | A" | B" | C | D | E | F | PEZZI/PIECES |
|------------------|------|------|----|----|-----|------|--------------|
| AS80M5M5 | M5 | M5 | 9 | 9 | 4,6 | 13,6 | 10 |
| AS80K1818 | G1/8 | R1/8 | 14 | 14 | 8 | 22 | 10 |
| AS80K1814 | G1/8 | R1/4 | 18 | 18 | 8 | 26 | 10 |
| AS80K1418 | G1/4 | R1/8 | 18 | 18 | 10 | 28 | 10 |
| AS80K1414 | G1/4 | R1/4 | 18 | 18 | 10 | 28 | 10 |
| AS80K1438 | G1/4 | R3/8 | 20 | 21 | 10 | 31 | 10 |
| AS80K3814 | G3/8 | R1/4 | 20 | 21 | 11 | 32 | 10 |
| AS80K3838 | G3/8 | R3/8 | 20 | 21 | 11 | 32 | 10 |

AS 81K



T maschio conico BSPT femmina cilindrico BSPP-metrico

T male taper BSPT female parallel BSPP-metric

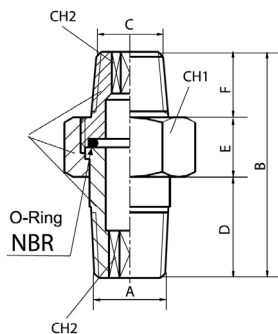
T-Stück konisches Gewindeisch/zylindrisch-metrisch

Raccord té mâle / femelle

Racor a T macho-hembra

| CODICE/CODE | A" | B" | C | D | E | F | PEZZI/PIECES |
|------------------|------|------|----|----|-----|------|--------------|
| AS81M5M5 | M5 | M5 | 9 | 9 | 4,6 | 13,6 | 10 |
| AS81K1818 | G1/8 | R1/8 | 14 | 14 | 9 | 22 | 10 |
| AS81K1414 | G1/4 | R1/4 | 18 | 18 | 10 | 28 | 10 |
| AS81K3838 | G3/8 | R3/8 | 20 | 21 | 11 | 32 | 10 |

AS 82K



Raccordo a 3 pezzi conico BSPT

Three pieces union taper BSPT

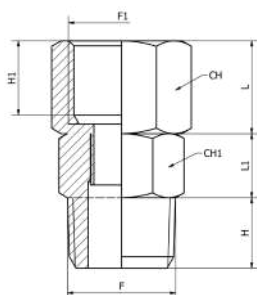
Doppelnippel lösbar konisches Gewinde

Raccord 3 pièces conique BSPT

Racor 3 piezas cónico BSPT

| CODICE/CODE | A" | B | C" | D | E | F | CH1 | CH2 | PEZZI/PIECES |
|------------------|------|----|------|----|-----|------|-----|-----|--------------|
| AS82K1818 | R1/8 | 33 | R1/8 | 15 | 8,5 | 9,5 | 15 | 5 | 10 |
| AS82K1814 | R1/8 | 34 | R1/4 | 15 | 8,5 | 10,5 | 15 | 5 | 10 |
| AS82K1414 | R1/4 | 38 | R1/4 | 17 | 10 | 11 | 19 | 6 | 10 |
| AS82K1438 | R1/4 | 40 | R3/8 | 17 | 10 | 13 | 19 | 6 | 10 |
| AS82K3838 | R3/8 | 52 | R3/8 | 23 | 16 | 13 | 26 | 10 | 10 |
| AS82K3812 | R3/8 | 53 | R1/2 | 23 | 16 | 14 | 26 | 10 | 10 |
| AS82K1212 | R1/2 | 54 | R1/2 | 24 | 16 | 14 | 30 | 12 | 10 |

AS 83KG



Nipplo conico girevole

Nipple taper (rotating body)

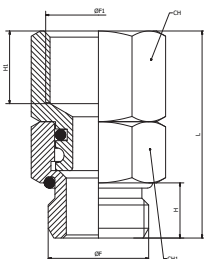
Doppelnippel drehbar konisches Gewinde

Mamelon double conique orientable

Machón cónico orientable

| CODICE/CODE | F | F1 | L | H | H1 | CH | CH1 | PEZZI/PIECES |
|-------------------|------|------|------|------|------|----|-----|--------------|
| AS83KG1818 | R1/8 | G1/8 | 28 | 8 | 8 | 12 | 13 | 10 |
| AS83KG1414 | R1/4 | G1/4 | 34 | 11 | 11 | 14 | 16 | 10 |
| AS83KG3838 | R3/8 | G3/8 | 35,5 | 11,5 | 11,5 | 17 | 19 | 10 |

AS 83G

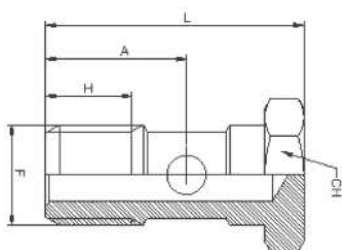


🇮🇹 Nipplo cilindrico girevole con O-Ring

- 🇬🇧 Nipple parallel (rotating body) with O-Ring
- 🇩🇪 Doppelnippel drehbar zylindrisches Gewinde mit O-Ring
- 🇫🇷 Mamelon double conique orientable avec O-ring
- 🇪🇸 Machón cónico orientable con O-ring

| CODICE/CODE | F | F1 | L | H | H1 | CH | CH1 | PEZZI/PIECES |
|------------------|------|------|------|-----|------|----|-----|--------------|
| AS83G1818 | G1/8 | G1/8 | 27 | 6,5 | 8 | 13 | 13 | 10 |
| AS83G1414 | G1/4 | G1/4 | 32 | 8 | 11 | 16 | 16 | 10 |
| AS83G3838 | G3/8 | G3/8 | 33,5 | 9 | 11,5 | 19 | 19 | 10 |

AS 87



🇮🇹 Asta 1 posizione cilindrico BSPP-metrico

- 🇬🇧 Steam 1 position parallel BSPP-metric
- 🇩🇪 Drosselschraube einfach
- 🇫🇷 Vis une position cylindrique BSPP-métrique
- 🇪🇸 Tornillo una posición cilíndrico BSPP-métrico

| CODICE/CODE | F" | A | H | L | CH | PEZZI/PIECES |
|-----------------|------|------|-----|------|----|--------------|
| AS8700M5 | M5 | 9,5 | 6,5 | 18 | 8 | 10 |
| AS870018 | G1/8 | 15 | 9 | 27 | 14 | 10 |
| AS870014 | G1/4 | 16,5 | 11 | 29,5 | 17 | 10 |
| AS870038 | G3/8 | 17 | 12 | 31 | 19 | 10 |
| AS870012 | G1/2 | 24 | 16 | 42 | 27 | 10 |

Nota: Articolo da assemblare con RC 65 - RC 66 - RC 72

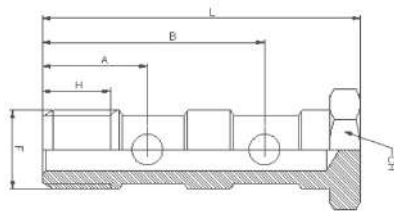
Note: Item to be assembled with RC 65 - RC 66 - RC 72

Hinweis: Zu montierender Artikel mit RC 65 - RC 66 - RC 72

Note: Article à assembler avec RC 65 - RC 66 - RC 72

Nota: Artículo que se ensamblará con RC 65 - RC 66 - RC 72

AS 88



🇮🇹 Asta doppia cilindrico BSPP

- 🇬🇧 Steam 2 positions parallel BSPP
- 🇩🇪 Drosselschraube zweifach
- 🇫🇷 Vis double cylindrique BSPP
- 🇪🇸 Tornillo doble cilíndrico BSPP

| CODICE/CODE | F" | H | A | B | L | CH | PEZZI/PIECES |
|-----------------|------|----|------|----|------|----|--------------|
| AS880018 | G1/8 | 9 | 15 | 31 | 44,5 | 14 | 10 |
| AS880014 | G1/4 | 11 | 17 | 36 | 51,5 | 17 | 10 |
| AS880038 | G3/8 | 12 | 20,5 | 42 | 58,6 | 22 | 10 |
| AS880012 | G1/2 | 14 | 24 | 50 | 68 | 27 | 10 |

Nota: Articolo da assemblare con RC 65 - RC 66 - RC 72

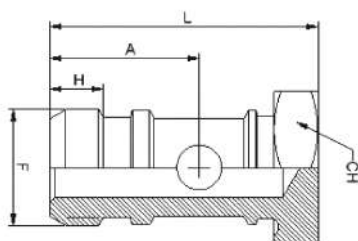
Note: Item to be assembled with RC 65 - RC 66 - RC 72

Hinweis: Zu montierender Artikel mit RC 65 - RC 66 - RC 72

Note: Article à assembler avec RC 65 - RC 66 - RC 72

Nota: Artículo que se ensamblará con RC 65 - RC 66 - RC 72

AS 87OR



🇮🇹 Asta singola cilindrica BSPP con O-ring

- 🇬🇧 Steam single parallel BSPP with O-ring
- 🇩🇪 Drosselschraibe einfach mit O-Ring
- 🇫🇷 Vis unique cylindrique BSPP avec O-ring
- 🇪🇸 Tornillo solo cilíndrico BSPP con O-ring

| CODICE/CODE | F" | H | A | L | CH | PEZZI/PIECES |
|-----------------|------|-----|-------|------|----|--------------|
| AS87OR18 | G1/8 | 4,5 | 13,75 | 25 | 14 | 10 |
| AS87OR14 | G1/4 | 6 | 16,7 | 30 | 17 | 10 |
| AS87OR38 | G3/8 | 6 | 18 | 34 | 22 | 10 |
| AS87OR12 | G1/2 | 7,4 | 21,5 | 39,5 | 27 | 10 |

Nota: Articolo da assemblare con RT 63 - RT 64 - RK 63 - RK 64

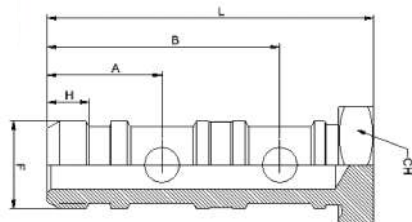
Note: Item to be assembled with RT 63 - RT 64 - RK 63 - RK 64

Hinweis: Zu montierender Artikel mit RT 63 - RT 64 - RK 63 - RK 64

Note: Article à assembler avec RT 63 - RT 64 - RK 63 - RK 64

Nota: Artículo que se ensamblará con RT 63 - RT 64 - RK 63 - RK 64

AS 88OR



Asta doppia cilindrica BSPP con O-ring

Steam double parallel BSPP with O-ring

Drosselschraibe zweifach mit O-Ring

Vis double cylindrique BSPP avec O-ring

Tornillo doble cilíndrico BSPP con O-ring

CODICE/CODE **F"** **H** **A** **B** **L** **CH** **PEZZI/PIECES**

AS88OR18 G1/8 4,5 13 29 40 14 10

AS88OR14 G1/4 6 16,5 33,5 47 17 10

AS88OR38 G3/8 8,5 17 37,6 52,5 22 10

AS88OR12 G1/2 10,8 21 45 63 27 10

Nota: Articolo da assemblare con RT 63 - RT 64 - RK 63 - RK 64

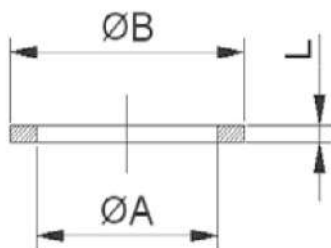
Note: Item to be assembled with RT 63 - RT 64 - RK 63 - RK 64

Hinweis: Zu montierender Artikel mit RT 63 - RT 64 - RK 63 - RK 64

Note: Article à assembler avec RT 63 - RT 64 - RK 63 - RK 64

Nota: Artículo que se ensamblará con RT 63 - RT 64 - RK 63 - RK 64

AS 91



N = NYLON

Rondelle in nylon/alluminio

Washers in nylon/aluminum

Dichtungen Nylon/Aluminium

Joint en nylon/aluminium

Arandela en nylon/aluminio

CODICE/CODE **ØA** **ØB** **L** **PEZZI/PIECES**

AS91N00M5 M5 8,5 1,5 100

AS91N0018 G1/8 14 1,5 100

AS91N0014 G1/4 18 1,5 100

AS91N0038 G3/8 21 1,5 100

AS91N0012 G1/2 26 1,5 100

AS91N0034 G3/4 26,7 2,5 100

AS910018 G1/8 14 1,5 100

AS910014 G1/4 17,3 1,5 100

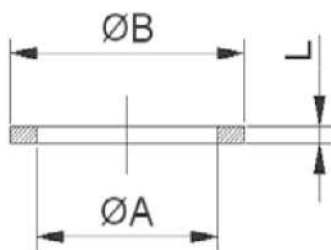
AS910038 G3/8 21 1,5 100

AS910012 G1/2 26 1,5 100

AS910034 G3/4 34 1,5 100

AS910001 G1 41 1,5 100

AS 92N



Rondella in nylon dentellata

Nylon washers serrated

Dichtungen Nylon gezähnt

Joint imperdable en nylon

Arandela dentada en nylon

CODICE/CODE **ØA** **ØB** **L** **PEZZI/PIECES**

AS92N00M5 M5 8 1 100

AS92N0018 G1/8 14 1,5 100

AS92N0014 G1/4 18 1,5 100

AS92N0038 G3/8 21 1,5 100

AS92N0012 G1/2 26 1,5 100