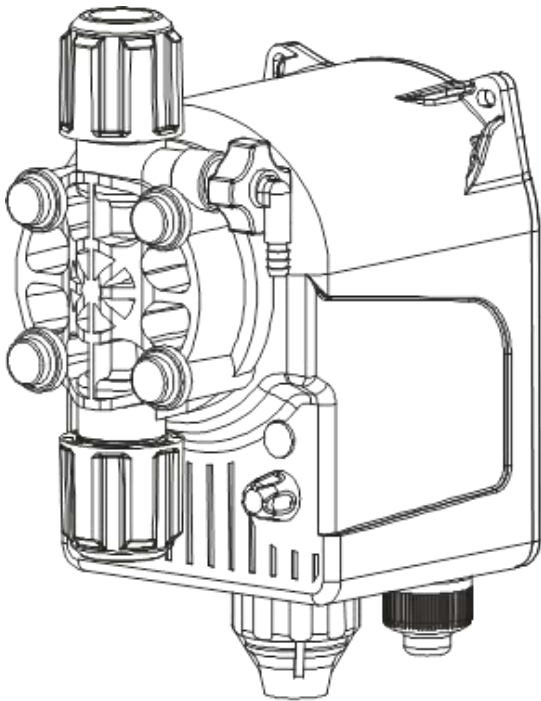


DOSING PUMP

INVIKTA SERIES – Solenoid Dosing Pump



Technical characteristics



- Flow rates: from 0.2 to 5 l/h
- Max Pressure: up to 7 bar (101.5 psi)
- Power supply:
 - 230 Vac 50/60 Hz
 - 24 Vac on request
- Stroke rate: from 20 up to 160 strokes/minute
- Pump head:
 - PVDF-T
 - PVDF
- Diaphragm: PTFE
- External Enclosure: PP protection degree IP65
- Installation kit: Included
- Detergent & Rinse installation kit: On request

Seko Invikta Series is a simple solenoid dosing pump, operating with a micro-processor to manage the dosing. Thanks to its small dimension and simple shape, this pump is ideal for application as: OEM's, Swimming pool, Car Wash, Cooling Towers, RO System and so on.

Its external enclosure has an IP55, which guarantees a protection versus splashing water and aggressive environments.

Invikta pump has a LED, which shows the state of the operation:

- Continuous flash when is working properly
- Slow flash when the pump is stopped

The pump head has a manual priming valve and the flow rate is manually adjustable from 0 (pump stop) to 100% of the max flow rate.

The power supply is 230 Vac (standard) and 24 Vac (on request).

The pump can be fixed directly on wall or by fixing brackets .

Invikta includes also the installation kit.

Kompact pump can be fixed on wall by fixing bracket provide with the pump or top of drums by the optional foot fixing bracket.

DOSING PUMP

INVIKTA SERIES – Solenoid Dosing Pump



PUMP KEY CODE

Field 1	Field 2	Field 3	Field 4	Field 5	Field 6
KCS	632	A	VF	K	00



Field 1	model	
		<i>Analogic dosing pump with constant flow rate, manually adjustable</i>
	KCS	<i>standard</i>
	KCL	<i>with level probe</i>

Field 2	hydraulic	bar	l/h	
	620	1	0,2	<i>"SILENT" version - KCL only</i>
	622	1	2	<i>"SILENT" version - KCL only</i>
	630	7	0,6	<i>"LOW FLOW" version</i>
	631	2	5	
	632	7	2	
	633	5	5	

Field 3	power supply		
	A	230 Vac 50 Hz	<i>KCL only</i>
	N	100÷240 Vac 50-60 Hz	
	O	24 Vac 50-60 Hz	

Field 4	liquid end	body pump	balls	O-ring	diaphragm
	VF	PVDF-T	Ceramic	FPM	PTFE
	VE	PVDF-T		EPDM	
	HF	PVDF		FPM	

Field 5	installation kit	
	K	<i>standard</i>
	D	
	R	
	C	<i>"CAR WASH" type</i>
	S	<i>"SILENT" type - only injection valve</i>

Field 6	optional	
	00	<i>standard</i>

* **"CAR WASH"** type is a pump specially designed for car wash application, with an innovative design of seals, and standard installation kit.

DOSING PUMP

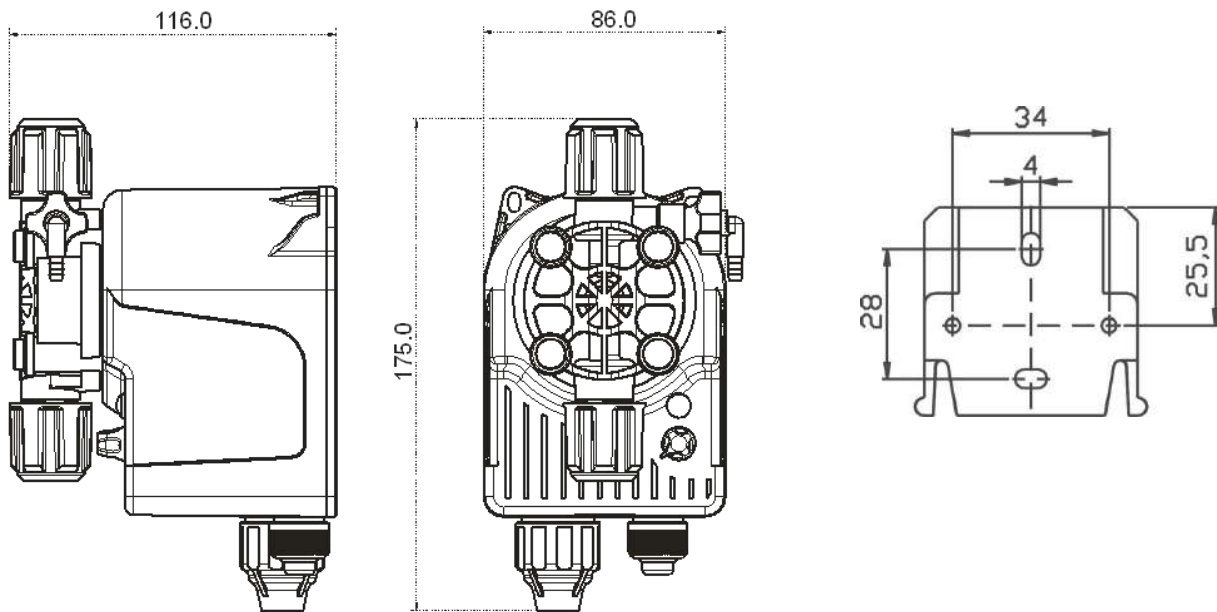
INVIKTA SERIES – Solenoid Dosing Pump



HYDRAULIC CHARACTERISTICS

Pump Model	Stroke/min	Flow rate		Max back pressure		Connection (in/out)	Power supply at 50 Hz
				bar	p.s.i.		
		l/h	g/l/h	PVDF-T PVDF	PVDF-T PVDF	All models	
K C L 6 2 0	20	0.2	0.05	1	14.5	4/6	230 Vac (24 Vac on request)
K C L 6 2 2	90	2	0.53	1	14.5		
K C S/L 6 3 0	100	0.6	0.17	7	101.5		
K C S/L 6 3 1	110	5	1.37	2	29		
K C S/L 6 3 2	100	2	0.53	7	101.5		
K C S/L 6 3 3	160	5	1.37	5	72.5		

DIMENSIONS*



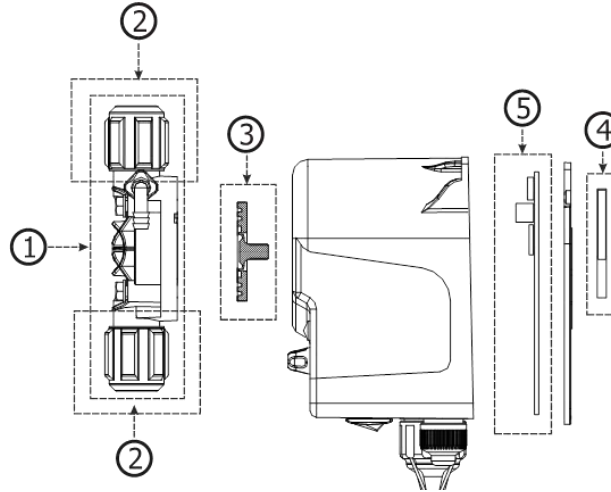
*The dimension are the same for all models

DOSING PUMP

INVIKTA SERIES – Solenoid Dosing Pump



SPARE PARTS



Ref.	Description	Model
1	Complete Pump Head (PVDF-T, Ceramic balls). Seals made in:	FPM
		EPDM
1	Complete Pump Head (PVDF, Ceramic balls). Seals made in:	FPM
2	Valve assembly Suction + Discharge (PVDF-T / Ceramic) Seals made in:	FPM
		EPDM
2	Valve assembly Suction + Discharge (PVDF / Ceramic) Seals made in:	FPM
3	Diaphragm	all the models
4	Mounting bracket	
5	Electronic control boards	

INSTALLATION KIT

	model	Fixing bracket	Suction tube	Delivery tube	Foot filter Injection valve
K	all				
D	631				
R	632				
C	633				
S	620				